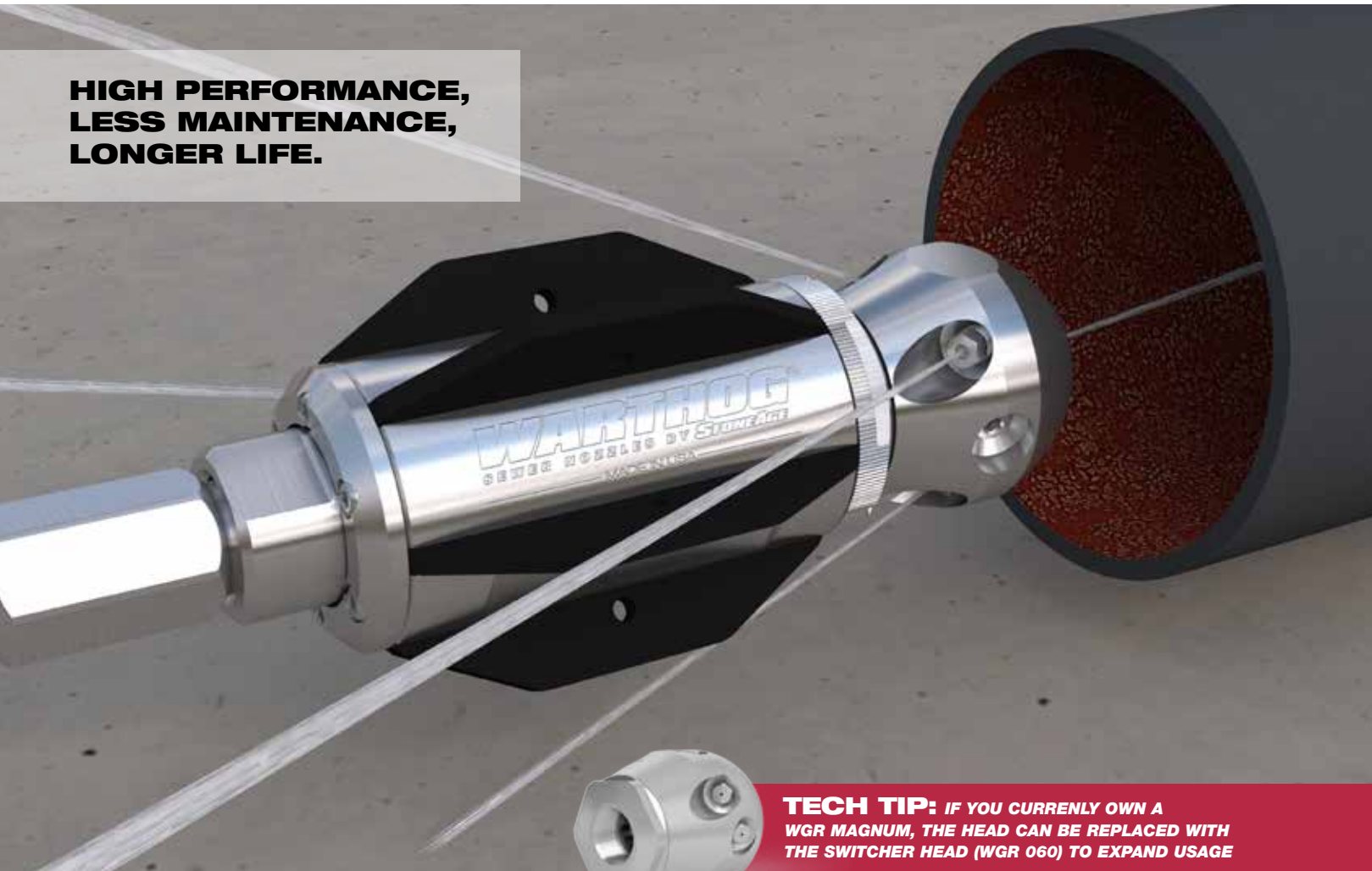




**HIGH PERFORMANCE,
LESS MAINTENANCE,
LONGER LIFE.**



TECH TIP: IF YOU CURRENTLY OWN A WGR MAGNUM, THE HEAD CAN BE REPLACED WITH THE SWITCHER HEAD (WGR 060) TO EXPAND USAGE

WGR MAGNUM

8"-36" (20-90 cm) Lines

The **WGR MAGNUM** is the first tool in the Warthog Magnum series, specifically designed for extended tool durability and optimal handling of dirty or recycled water.

WGR MAGNUM	Up to 5k psi (350 bar)
	50-80 gpm Flows (190-300 l/min)
	Standard Descaler or Puller Descaler

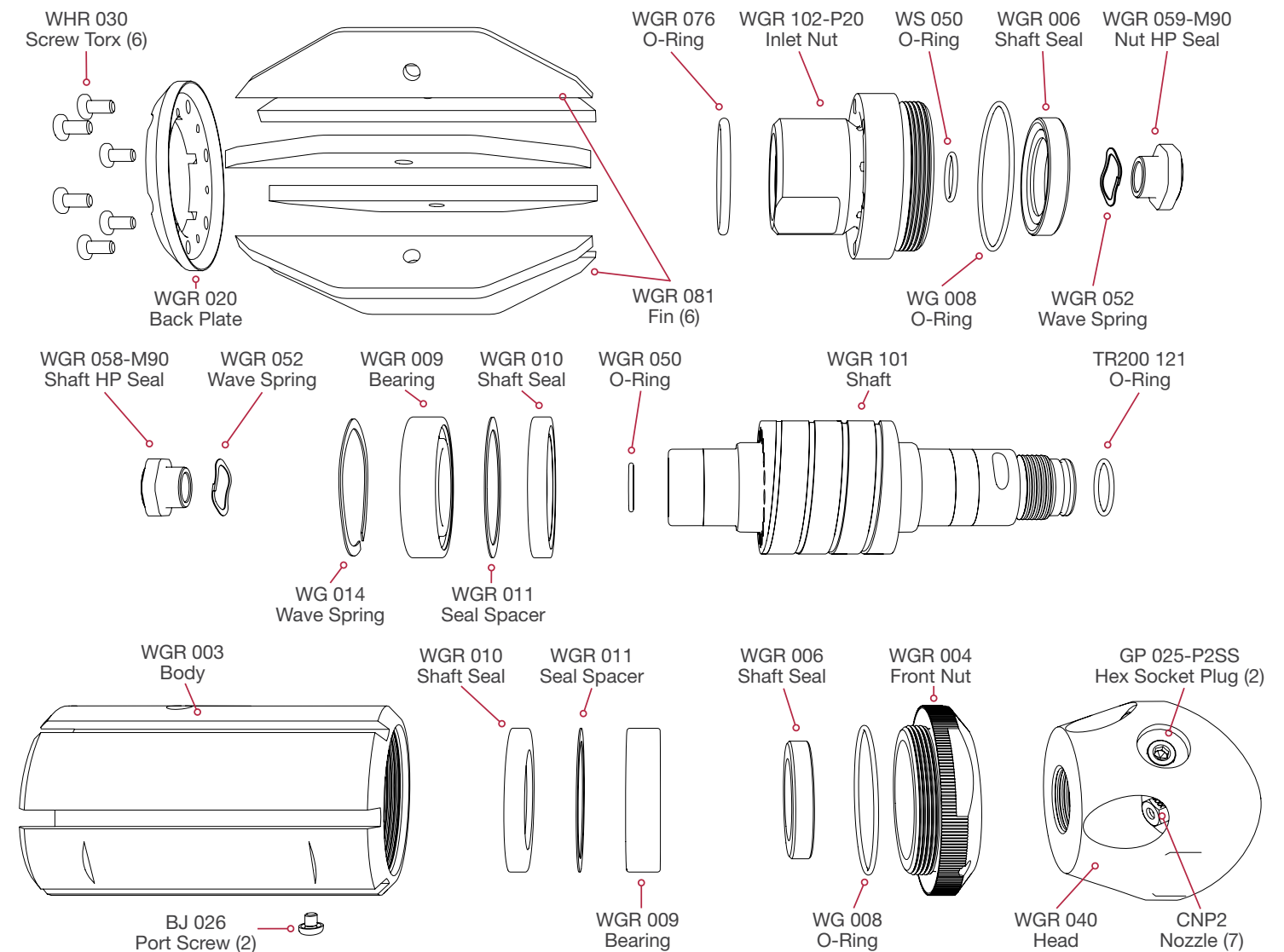
WGR Specifications

MAXIMUM PRESSURE	5k psi 350 bar
OPERATING PRESSURE	1500-5k psi 100-350 bar
ROTATION SPEED	150-300 rpm
FLOW	50-80 gpm 190-300 l/min
FLOW RATING	6 Cv
INLET CONNECTION	1 in. NPT or 1 in. BSPP
NOZZLE PORTS	7 x 1/8 NPT
DIAMETER	4.5 in. 114 mm
LENGTH	10.25 in. 260 mm
WEIGHT COMPLETE	13 lb 5.9 kg

- Optimized speed control extends maintenance intervals
- Latest seal technology effectively handles dirty or recycled water for improved performance
- Flush style head protects front shaft seals for longer tool life
- Streamlined design keeps tool from catching inside pipe
- Carbide nozzles generate higher quality jets
- Descaling ports now come standard
- Hardened steel centralizer with 4x longer life
- Optional fin sizes for different pipe diameters
- Independently replaceable fins can be easily replaced without opening tool body
- Choose your rotation speed with 3 viscous fluid options

WGR MAGNUM

Exploded View - Part Names and Numbers



Maintenance & Overhaul Kits

WGR 600 • SERVICE KIT

- (1) BJ 026 Port Screw
- (1) BJ 048-M Visc Fluid, 6oz
- (1) BJ 062-S Antiseize, 2g
- (1) GP 049 Grease Syringe
- (1) TR200 121 Shaft O-Ring
- (1) WG 008 Nut O-Ring
- (2) WGR 006 Shaft Seal - Outer
- (2) WGR 009 Bearing
- (2) WGR 010 Shaft Seal - Inner
- (2) WGR 011 Seal Spacer
- (2) WGR 050 O-Ring
- (6) WHR 030 Torx Screws

WGR 601 • FLUID KIT

- (1) WGR 601 Fluid Service Kit
- (1) BC 410 Syringe
- (2) BJ 026 Port Screw
- (1) WGR 048 Visc Fluid, 6oz
- (3) VISC. FLUID OPTIONS AVAIL.

WGR 602 • HP SEAL KIT

- (1) BJ 062-S Antiseize, 2g
- (2) WGR 052 HP Seal Wave Spring
- (1) WGR 058 HP Seal - Shaft
- (1) WGR 059 HP Seal - Nut
- (2) WGR 050 HP Seal O-Ring

WGR 610 • OVERHAUL KIT

- (2) BJ 026 Port Screw
- (1) BJ 062-S Antiseize, 2g
- (1) GP 025-P2SS Front Jet Plug
- (1) TR200 121 Head - Shaft O-Ring
- (1) WG 008 Nut O-Ring
- (1) WG 014 Bearing Wave Spring
- (2) WGR 006 Shaft Seal - Outer
- (2) WGR 009 Bearing
- (2) WGR 010 Shaft Seal - Inner
- (2) WGR 011 Seal Spacer
- (6) WHR 030 Torx Screws
- (1) WGR 048 Visc Fluid, 6oz

- (2) WGR 052 HP Seal Wave Spring
- (1) WGR 058 HP Seal - Shaft
- (1) WGR 059 HP Seal - Nut
- (1) WGR 076 Weep Seal O-Ring
- (1) WGR 180 Torx L-Wrench
- (2) WGR 050 HP Seal O-Ring

WGR 612 • TOOL KIT

- (1) WGR 180 Torx L-Wrench
- (1) WGR 181 Removal Press Tube
- (1) WGR 182 Installation Press Tube
- (1) WGR 183 Hex Tool
- (1) WGR 184 HP Seal Install Tool