



**HIGH PERFORMANCE,  
LESS MAINTENANCE,  
LONGER LIFE.**



## WGR-1-1/4 MAGNUM

### High-flow Pipe Cleaning

The WGR-1-1/4 Magnum is specifically designed for higher water flow, extended tool durability, and optimal handling of dirty or recycled water.

- Optimized speed control extends maintenance intervals
- Latest seal technology effectively handles dirty or recycled water for improved performance
- Flush style head protects front shaft seals for longer tool life
- Streamlined design keeps tool from catching inside pipe
- Carbide nozzles generate higher quality jets
- Descaling ports now come standard
- Hardened steel centralizer with 4x longer life
- Optional fin sizes for different pipe diameters
- Independently replaceable fins can be easily replaced as wear occurs without opening tool body
- Choose your rotation speed with 3 viscous fluid options

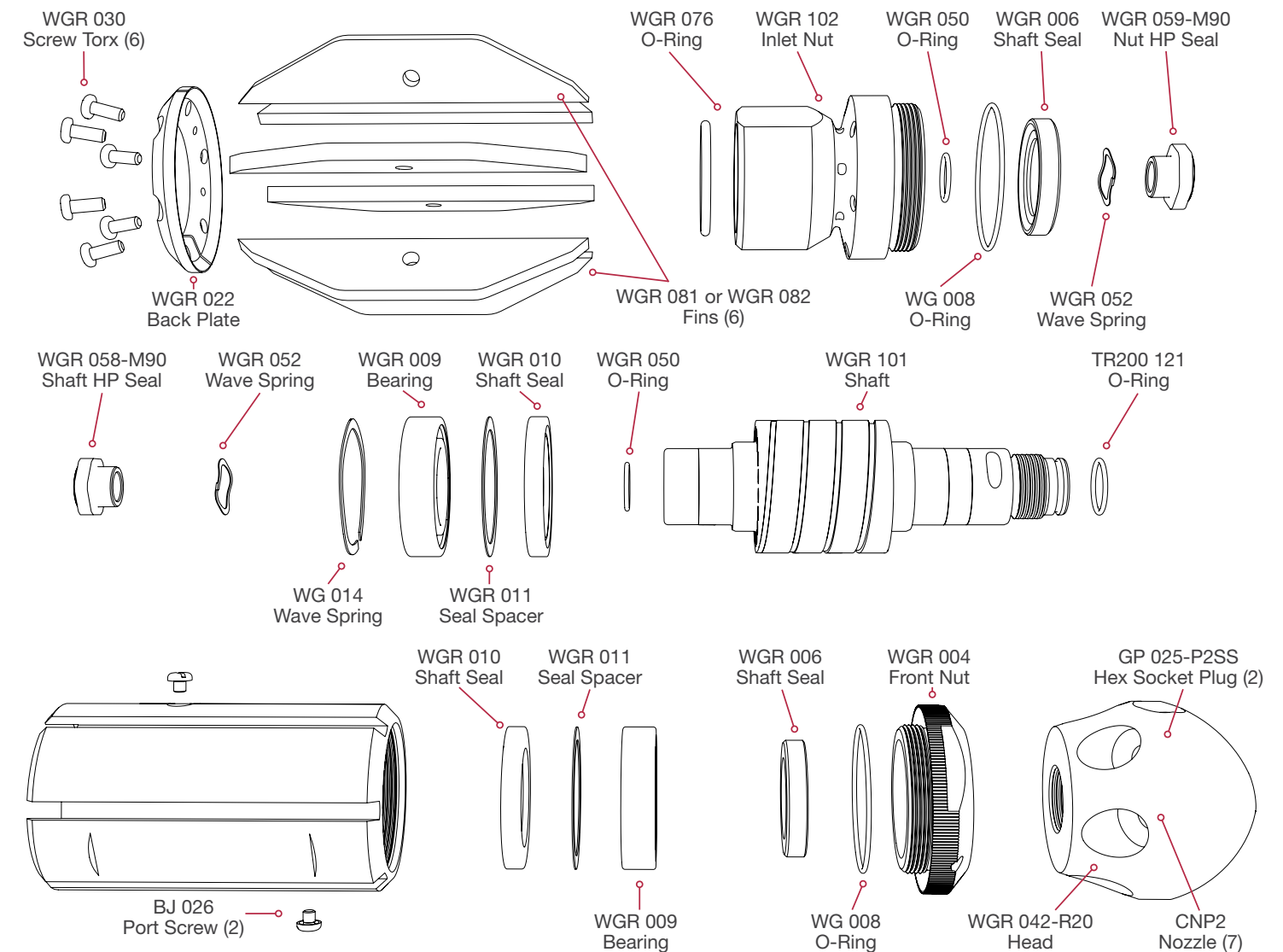
<b>WGR-1-1/4 MAGNUM</b>	Up to 5k psi (350 bar)
	80-120 gpm Flows (300-455 l/min)
8"-36" Lines (200-900 mm)	9 Port Head Comes Standard with Descaling Jets

### WGR Specifications

<b>MAXIMUM PRESSURE</b>	5k psi 350 bar
<b>OPERATING PRESSURE</b>	1500-5k psi 100-350 bar
<b>ROTATION SPEED</b>	150-300 rpm
<b>FLOW</b>	80-120 gpm (300-455 l/min)
<b>FLOW RATING</b>	6 Cv
<b>INLET CONNECTION</b>	1.25 in NPT / BSPP
<b>NOZZLE PORTS</b>	9 x 1/8 NPT
<b>DIAMETER</b>	5.75 in. 146 mm
<b>LENGTH</b>	10.25 in. 260 mm
<b>WEIGHT COMPLETE</b>	13 lb 5.9 kg

## WGR-1-1/4 MAGNUM

### Exploded View - Part Names and Numbers



### Maintenance & Overhaul Kits

#### WGR 600 • SERVICE KIT

- (1) BJ 026 Port Screw
- (1) BJ 048-M Visc Fluid, Medium, 6oz
- (1) BJ 062-S Antiseize, 2g
- (1) GP 049 Bearing Grease Syringe
- (1) TR200 121 Head - Shaft O-Ring
- (1) WG 008 Nut O-Ring
- (2) WGR 006 Shaft Seal - Outer
- (2) WGR 009 Bearing
- (2) WGR 010 Shaft Seal - Inner
- (2) WGR 011 Seal Spacer
- (2) WGR 050 O-Ring
- (6) WGR 030 Torx Screws

#### WGR 601 • FLUID KIT

- (1) WGR 601 Fluid Service Kit
  - (1) BC 410 Syringe
  - (2) BJ 026 Port Screw
  - (1) WGR 048 Visc Fluid, 6oz
  - (3) VISC. FLUID OPTIONS AVAIL.
- #### WGR 602 • HP SEAL KIT
- (1) BJ 062-S Antiseize, 2g
  - (2) WGR 052 HP Seal Wave Spring
  - (1) WGR 058 HP Seal - Shaft
  - (1) WGR 059 HP Seal - Nut
  - (2) WGR 050 HP Seal O-Ring

#### WGR 610 • OVERHAUL KIT

- (2) BJ 026 Port Screw
- (1) BJ 062-S Antiseize, 2g
- (1) GP 025-P Front Jet Plug
- (1) TR200 121 Head - Shaft O-Ring
- (1) WG 008 Nut O-Ring
- (1) WG 014 Bearing Wave Spring
- (2) WGR 006 Shaft Seal - Outer
- (2) WGR 009 Bearing
- (2) WGR 010 Shaft Seal - Inner
- (2) WGR 011 Seal Spacer
- (6) WGR 030 Torx Screws
- (1) WGR 048 Visc Fluid, 6oz

#### (2) WGR 052 HP Seal Wave Spring

- (1) WGR 058 HP Seal - Shaft
- (1) WGR 059 HP Seal - Nut
- (1) WGR 076 Weep Seal O-Ring
- (1) WGR 180 Torx L-Wrench
- (2) WGR 050 HP Seal O-Ring

#### WGR 612 • TOOL KIT

- (1) WGR 180 Torx L-Wrench
- (1) WGR 181 Removal Press Tube
- (1) WGR 182 Installation Press Tube
- (1) WGR 183 Hex Tool
- (1) WGR 184 HP Seal Install Tool