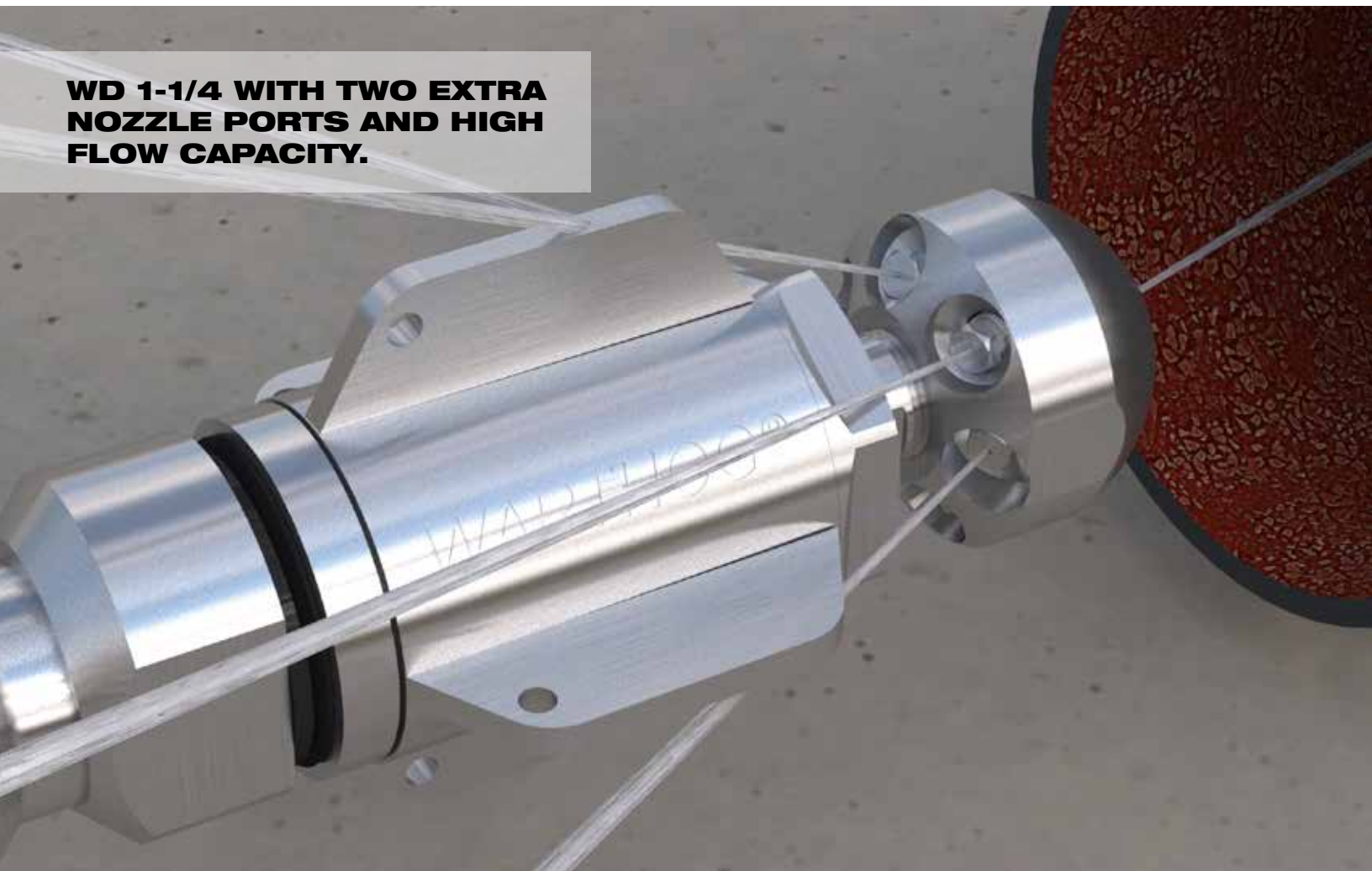




WD 1-1/4 WITH TWO EXTRA NOZZLE PORTS AND HIGH FLOW CAPACITY.



WD 1-1/4 CLASSIC

High-flow For 8"-36" (152-457 mm) Lines

The WD 1-1/4 is designed to handle the same applications as the WG-1 but at higher flows. The 1-1/4" inlet combined with seven ports effectively distribute more water.

Descaling heads are not available for this model.

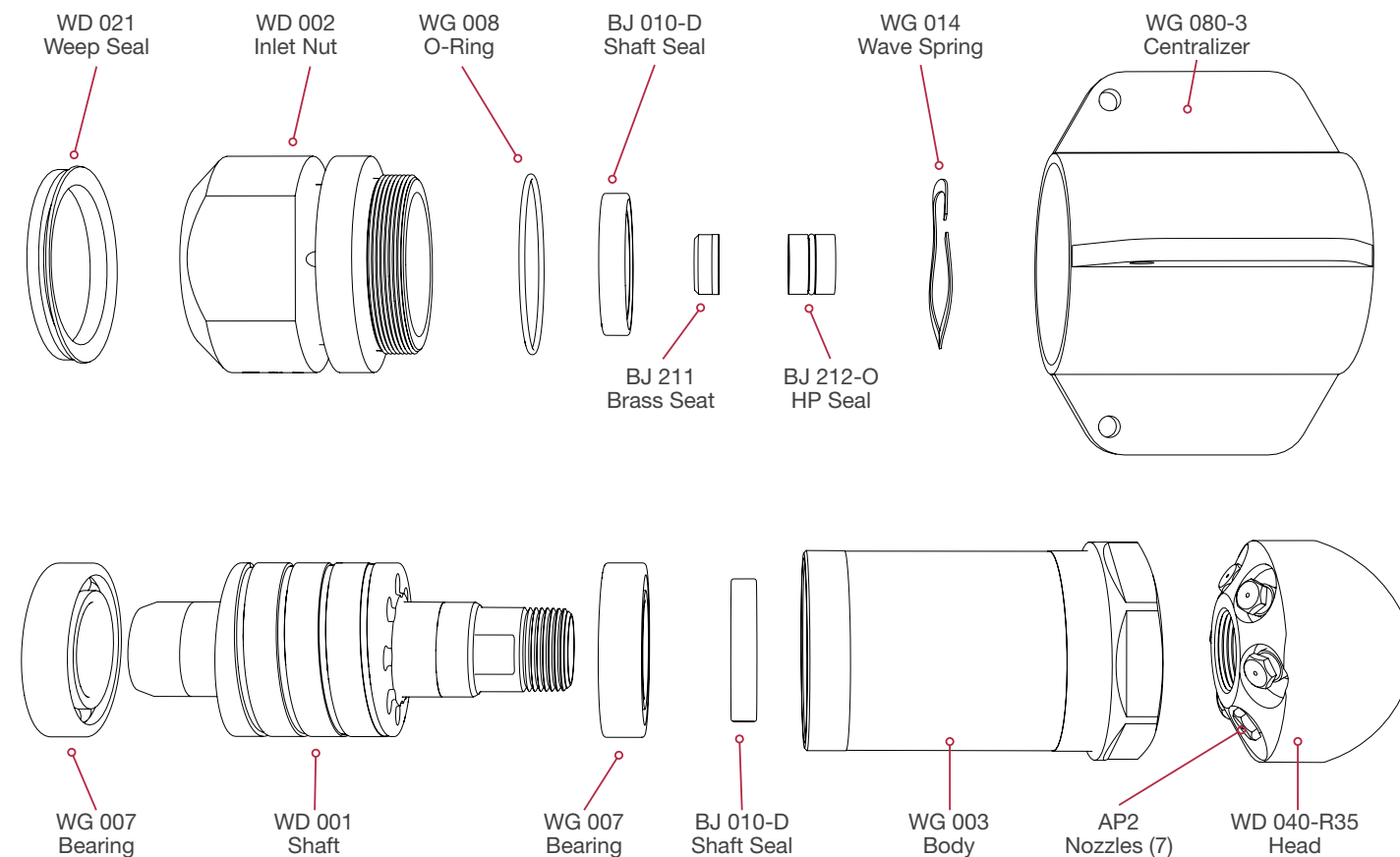
WD 1-1/4 CLASSIC	Up to 5k psi (350 bar)
8"-36" Lines (152-457 mm)	80-120 gpm Flows (300-450 l/min)
	High Flow Model

WD 1-1/4 Classic Specifications

MAXIMUM PRESSURE	5k psi	350 bar
OPERATING PRESSURE	1500-5k psi	100-350 bar
ROTATION SPEED		150-300 rpm
FLOW	80-120 gpm	300-450 l/min
FLOW RATING		7.6 Cv
PULLING FORCE	130-190 lb	600-850 Nm
INLET CONNECTION	1-1/4 NPT or BSPP	
LENGTH	9.1 in.	231 mm
DIAMETER WITH CENT.	4.8 in.	122 mm
NOZZLE PORTS	7 x 1/8 NPT	
WEIGHT COMPLETE	11 lb	5.0 kg

WD 1-1/4 CLASSIC

Exploded View - Part Names and Numbers



Maintenance & Overhaul Kits

WD 600 • SERVICE KIT

- (1) **BJ 048-F** Visc. Fluid, 6oz.
- (1) **BJ 062-S** Antiseize, 2g
- (1) **GP 025-P2SS** Hex Socket Plug
- (1) **BJ 211** Brass Seat
- (1) **BJ 212-O** HP Seal & O-Ring

WD 602 • SEAL KIT

- (1) **BJ 211** Brass Seat
- (1) **BJ 012-O** HP Seal & O-Ring

WD 610 • OVERHAUL KIT

- (1) **BJ 048-F** Visc. Fluid, 6oz.
- (2) **BJ 010-D** Shaft Seals
- (1) **BJ 062-S** Antiseize, 2g
- (1) **BJ 211** Brass Seat
- (1) **BJ 012-O** HP Seal & O-Ring
- (2) **WG 007** Ball Bearings
- (1) **WD 021** Seal
- (1) **WG 008** O-Ring
- (1) **WG 014** Wave Spring

WG 612 • TOOL KIT

- (1) **HC 064** Fill Tube
- (1) **BJ 105** Tool