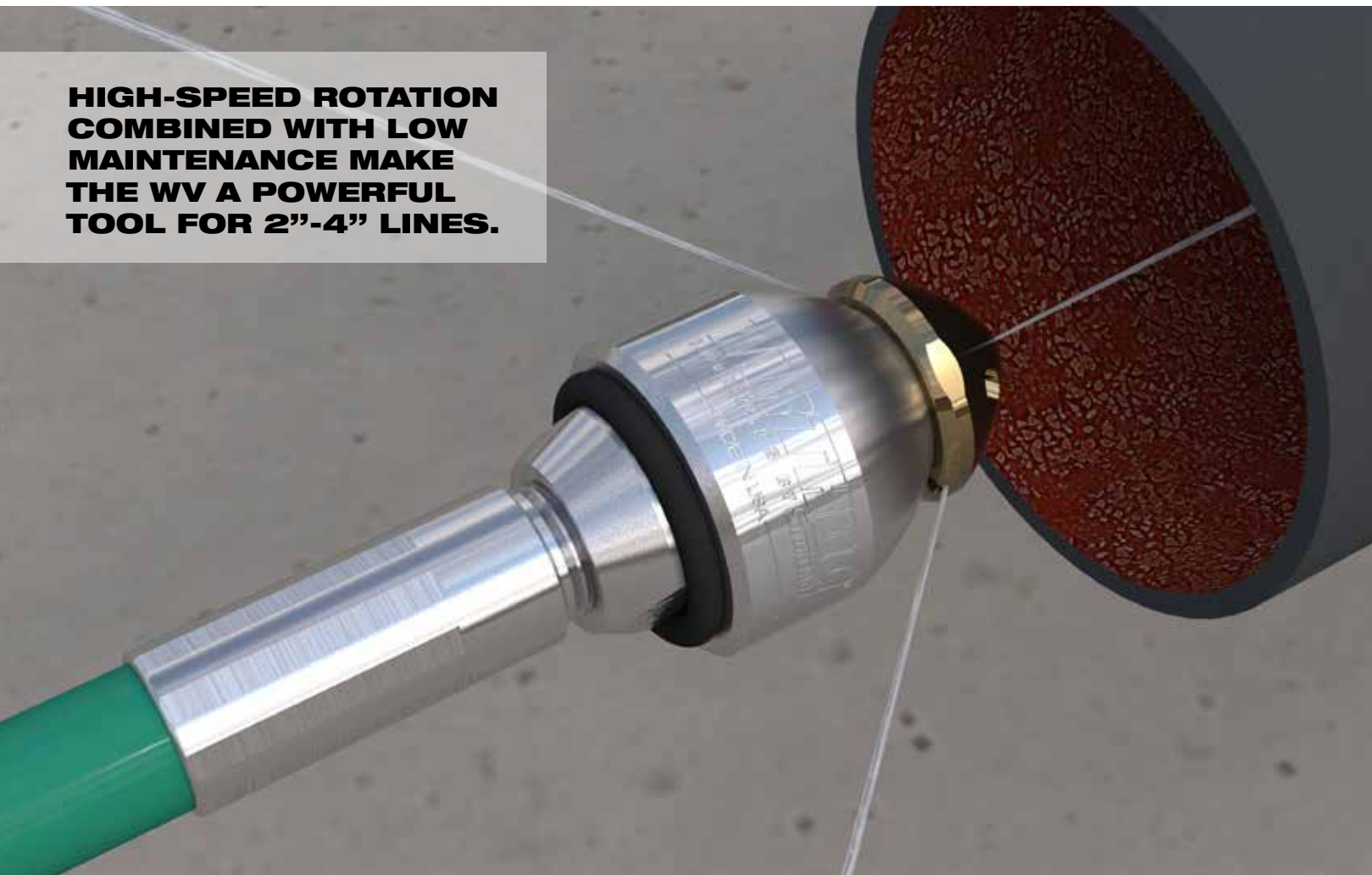


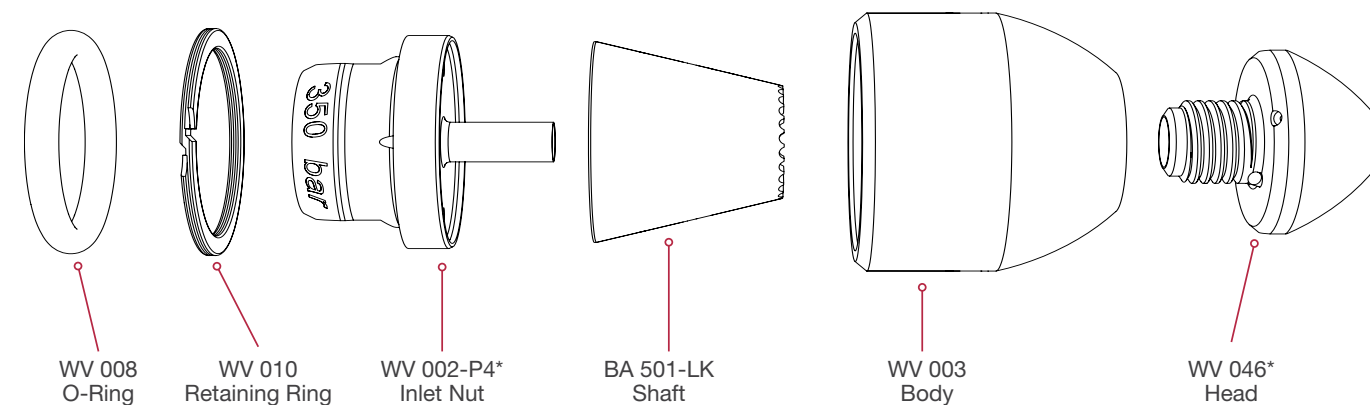


HIGH-SPEED ROTATION COMBINED WITH LOW MAINTENANCE MAKE THE WV A POWERFUL TOOL FOR 2"-4" LINES.



WV-1/4-LK

Exploded View - Part Names and Numbers



*See charts on the opposite page for inlet nut and head options. This is a low-maintenance tool. There are no maintenance or overhaul kits. However, the **WV 612** tool kit is available for easy tool disassembly.

WV-1/4-LK

2"-4" (51-102 mm) Lines with Elbows

The WV-1/4-LK uses StoneAge's flow-through technology and features a revolutionary high-speed rotating design with no high pressure seals or bearings to service. It cleans lines as small as 2" (51 mm) with long sweeping elbows. The head design also features permanent, pre-drilled orifices rather than threaded nozzles.

The tool operates from 2-5k psi (140-350 bar) and 3-8 gpm (11-30 l/min). It has a 1/4" NPT pipe thread inlet and can pass through long radius elbows in lines 2" (51 mm) and larger if a 1/4" NPT hose fitting is used.

WV-1/4-LK

2"-4" Lines (51-102 mm)

Up to 5k psi (350 bar)
3-8 gpm Flows (11-30 l/min)
High-Speed Rotation

WV-1/4-LK Specifications

MAXIMUM PRESSURE	5k psi 350 bar
OPERATING PRESSURE	2-5k psi 140-350 bar
FLOW	3-8 gpm 11.4-30.3 l/min
FLOW RATING	0.8 Cv
PULLING FORCE	4-9 lb 40 N
INLET CONNECTION	1/4 NPT or BSPP
TOOL DIAMETER	1.3 in. 33 mm
LENGTH	2.0 in. 51 mm
NOZZLE PORTS	3 Drilled
WEIGHT COMPLETE	0.45 lb 0.20 kg

WV-1/4-LK Tool Head Options

PART #	FRONT JET	BACK JETS	FLOW
WV-1/4-LK-A	0.024 in. 0.6 mm	2 x .052 in. 1.3 mm	7-8 gpm 26-30 l/min
WV-1/4-LK-B	0.020 in. 0.5 mm	2 x .039 in. 1.0 mm	5-6 gpm 19-23 l/min
WV-1/4-LK-C	0.018 in. 0.45 mm	2 x .032 in. 0.8 mm	4-4.5 gpm 15-17 l/min
WV-1/4-LK-D	0.018 in. 0.45 mm	2 x .028 in. 0.7 mm	3-3.5 gpm 11-13 l/min

POTENTIAL HAZARD!

If any Warthog is being used in pipes larger than the recommended diameter, a rigid stinger with a minimum length of 1.5 times the diameter of the pipe I.D. should be installed between the tool inlet and the hose end. Otherwise the tool can turn around inside the line (as shown here) and come back toward the operator, causing serious injury or death.

STONEAGE CARRIES A COMPLETE LINE OF STINGERS AND CAN HELP YOU PROPERLY SELECT THE RIGHT ONE FOR YOUR APPLICATION.



Stinger not in use here – tool is backing out of the pipe.



◀ CORRECT

This is an example of **WV-1/4-LK** set up for correct usage in pipes larger than 4" (102 mm) in diameter. A rigid Stinger should be installed between the tool inlet and the hose end. This helps to prevent the tool from turning around inside of the pipe and coming back toward the operator.