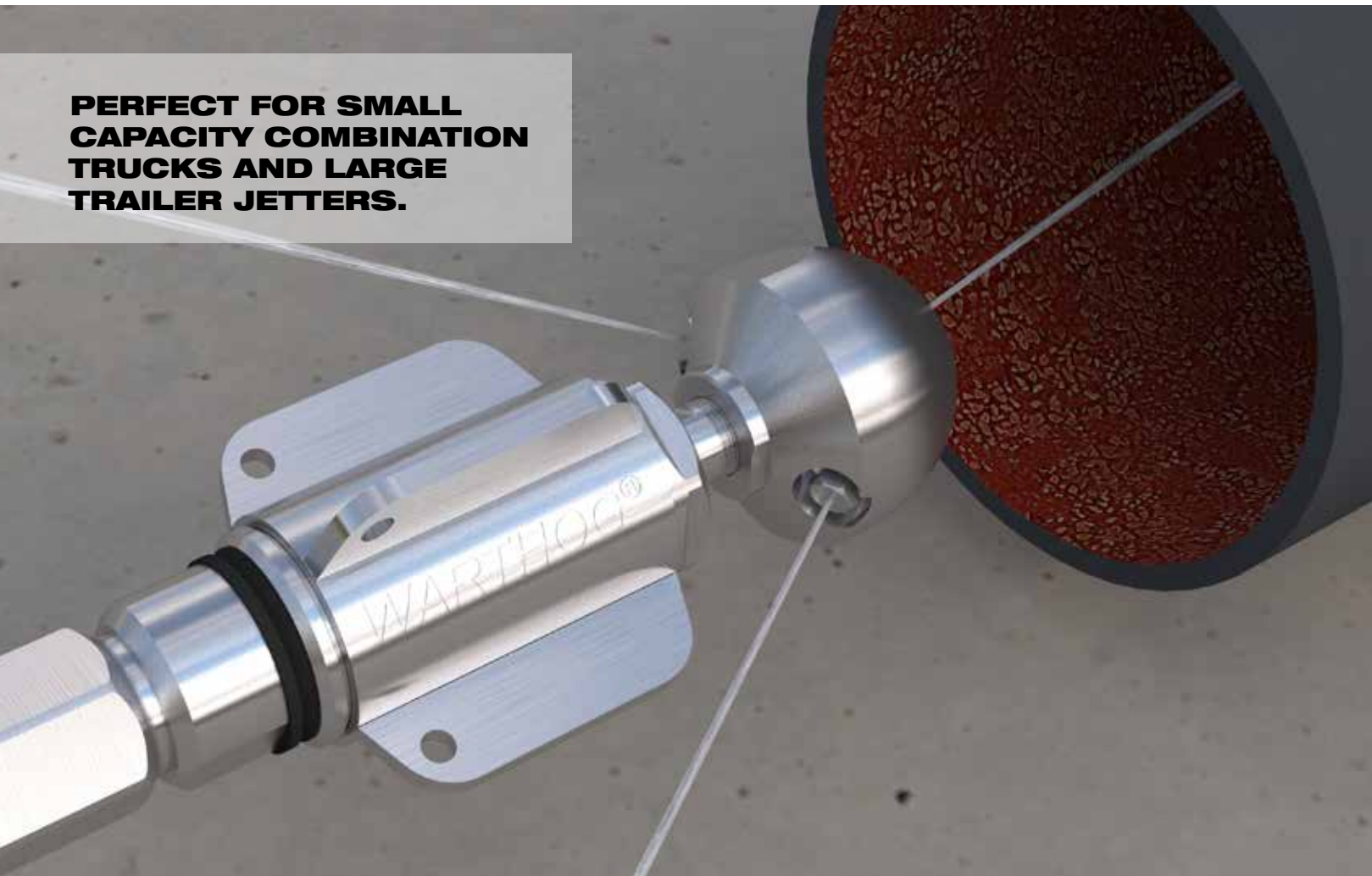




PERFECT FOR SMALL CAPACITY COMBINATION TRUCKS AND LARGE TRAILER JETTERS.



WH-1/2 & WH-3/4 CLASSIC

6"-18" (152-457 mm) Lines

The WH-1/2 and the WH-3/4 are the same tool offered with different inlet ports, either 1/2" or 3/4" NPT or BSPP. The WH models are best for 6"-18" (152-457 mm) lines.

These tools are most commonly used with small capacity combination trucks and large trailer jetters. Descaling Heads are available for both models.

WH-1/2 & 3/4 6"-18" Lines (152-457 mm)	Up to 8k psi (550 bar)
	10-45 gpm Flows (40-170 l/min)
	Two Inlet Options Available

WH-1/2 & WH-3/4 Specifications

MAXIMUM PRESSURE	8k psi (550 bar)
OPERATING PRESSURE	1500-8k psi (100-550 bar)
ROTATION SPEED	(150-300 rpm)
FLOW	10-50 gpm (40-170 l/min)
FLOW RATING	2.6 Cv
PULLING FORCE	18-50 lb (80-220 N)
INLET CONNECTION	1/2 NPT or BSPP & 3/4 NPT or BSPP
LENGTH	7.5 in. (191 mm)
DIAMETER INCL. CENT.	3.4 in. (86 mm)
NOZZLE PORTS	3 x 1/8 NPT
WEIGHT COMPLETE	4.7 lb 2.1 kg

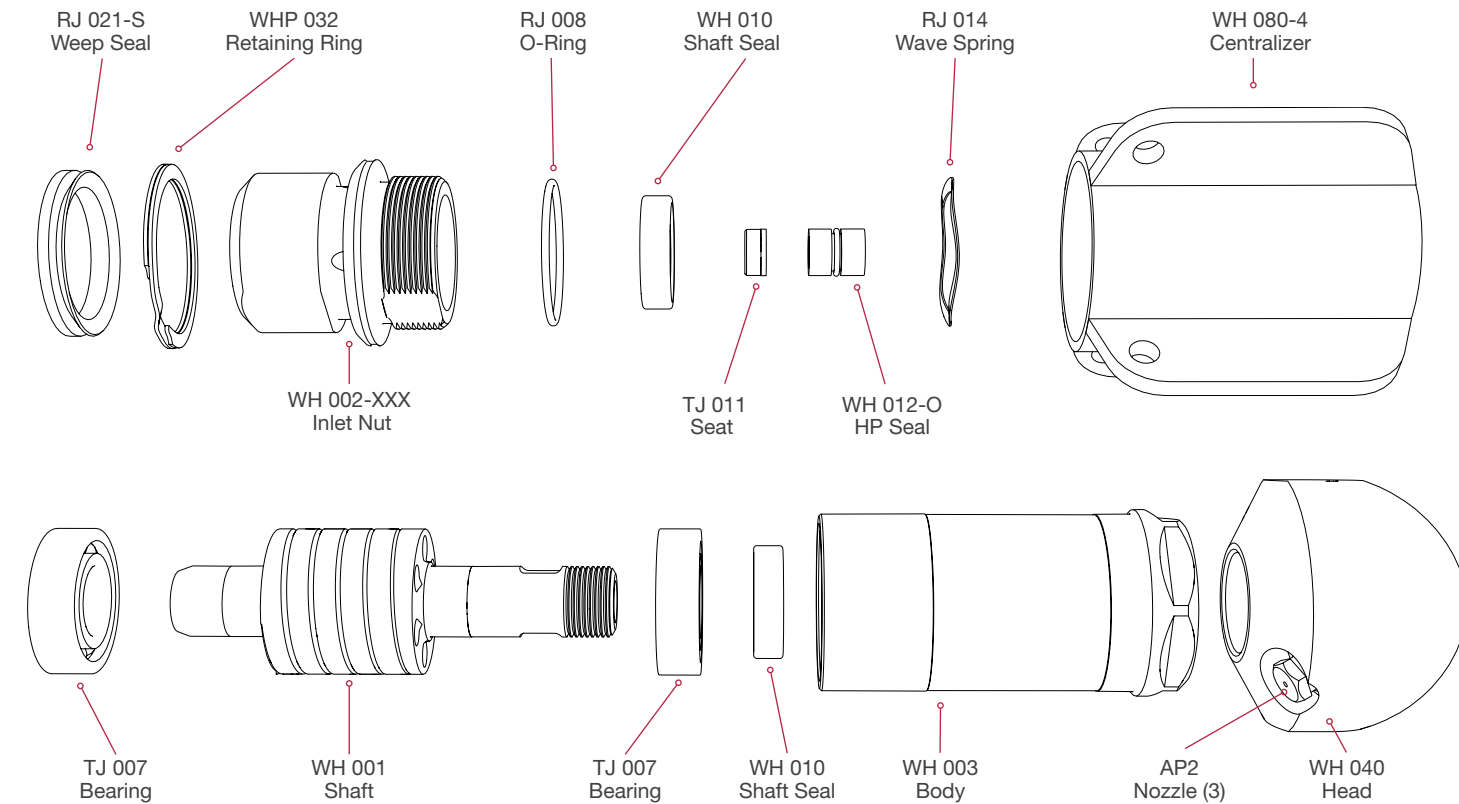
Optional Descaling Head
for the WH-1/2 & WH-3/4

WH 040-DS

TECH TIP: WE RECOMMEND PLUGGING THE FRONT JET TO HELP MAXIMIZE DESCALING AND PULLING POWER WHEN USING THIS OPTION.

WH-1/2 & WH-3/4

Exploded View - Part Names and Numbers



Maintenance & Overhaul Kits

WH 600 • SERVICE KIT

- (1) **BJ 048-F** Viscous Fluid, 6oz.
- (1) **BJ 062-S** Antiseize, 2g
- (1) **GP 025-P2SS** Hex Socket Plug
- (1) **TJ 011** Brass Seat
- (1) **WH 012-O** HP Seal & O-Ring

WH 602 • SEAL KIT

- (1) **TJ 011** Brass Seat
- (1) **WH 012-O** HP Seal & O-Ring

WH 610 • OVERHAUL KIT

- (1) **BJ 048-F** Viscous Fluid, 6oz.
- (1) **BJ 062-S** Antiseize, 2g
- (1) **RJ 008** O-Ring
- (1) **TJ 011** Brass Seat
- (1) **WH 012-O** HP Seal & O-Ring
- (2) **TJ 007** Ball Bearing
- (2) **WH 010** Shaft Seal
- (1) **RJ 021-S** Weep Seal
- (1) **RJ 014** Wave Spring

WH 612 • TOOL KIT

- (1) **TJ 064** Fill Tube
- (1) **WH 105** Tool