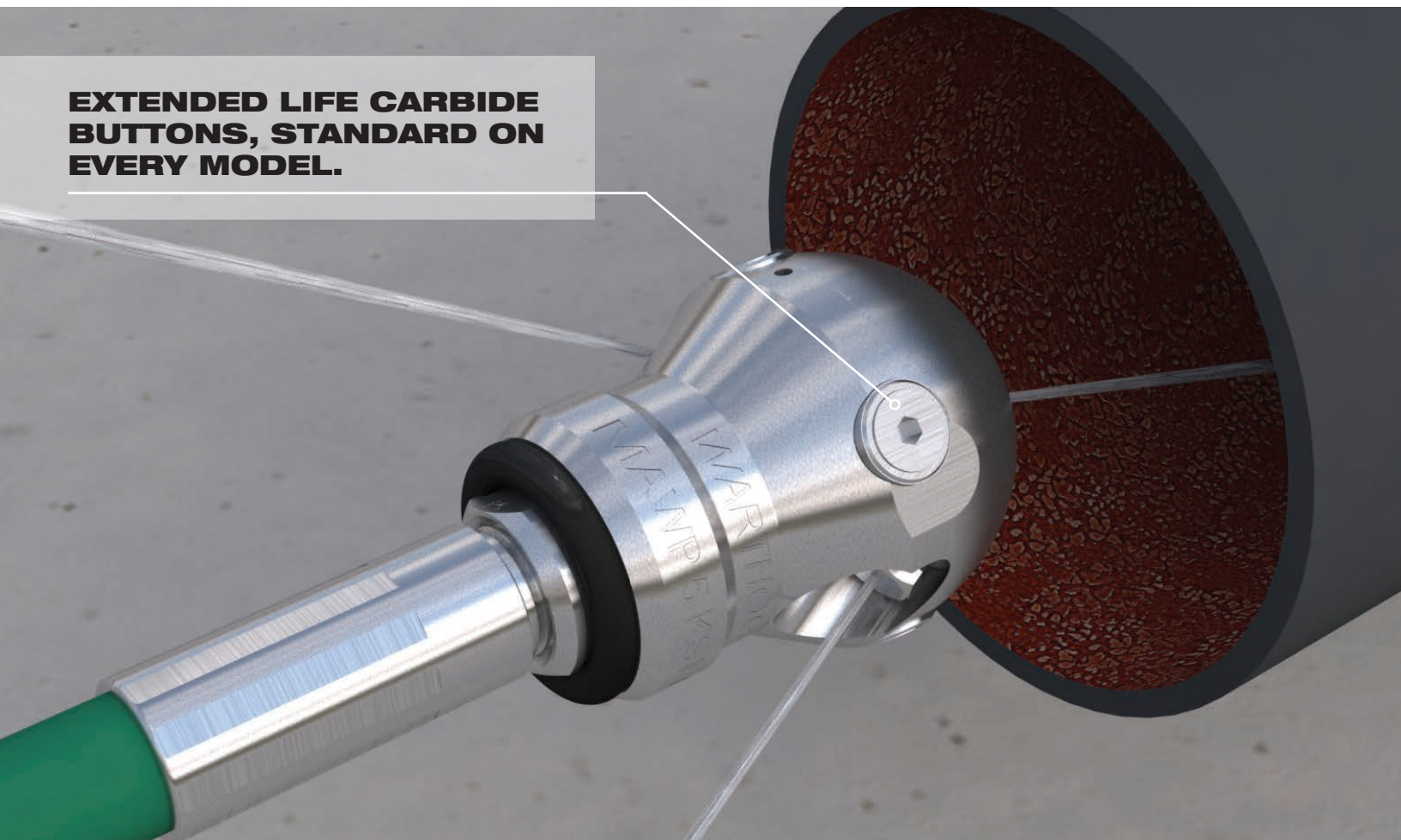


EXTENDED LIFE CARBIDE BUTTONS, STANDARD ON EVERY MODEL.



WT-3/8-C CLASSIC

3"-6" (76-152 mm) Lines with Elbows

Our smaller Classic series models can negotiate elbows and clean-outs commonly found in laterals at homes, buildings, restaurants and other light commercial facilities. This tool is most commonly used on small capacity pumps and cart jettors. Also an excellent choice for cutting roots, clearing ice and removing blockages.

Pipes made of cast iron and those that have sand or silt can act as abrasive agents that can aggressively wear out the tool. We've added permanent carbide buttons to the WT-3/8-C to increase head life. Our carbide buttons are available in all offsets and add up to 5 times the life compared to previous WT-3/8 models. It also features replaceable AP2 nozzles.

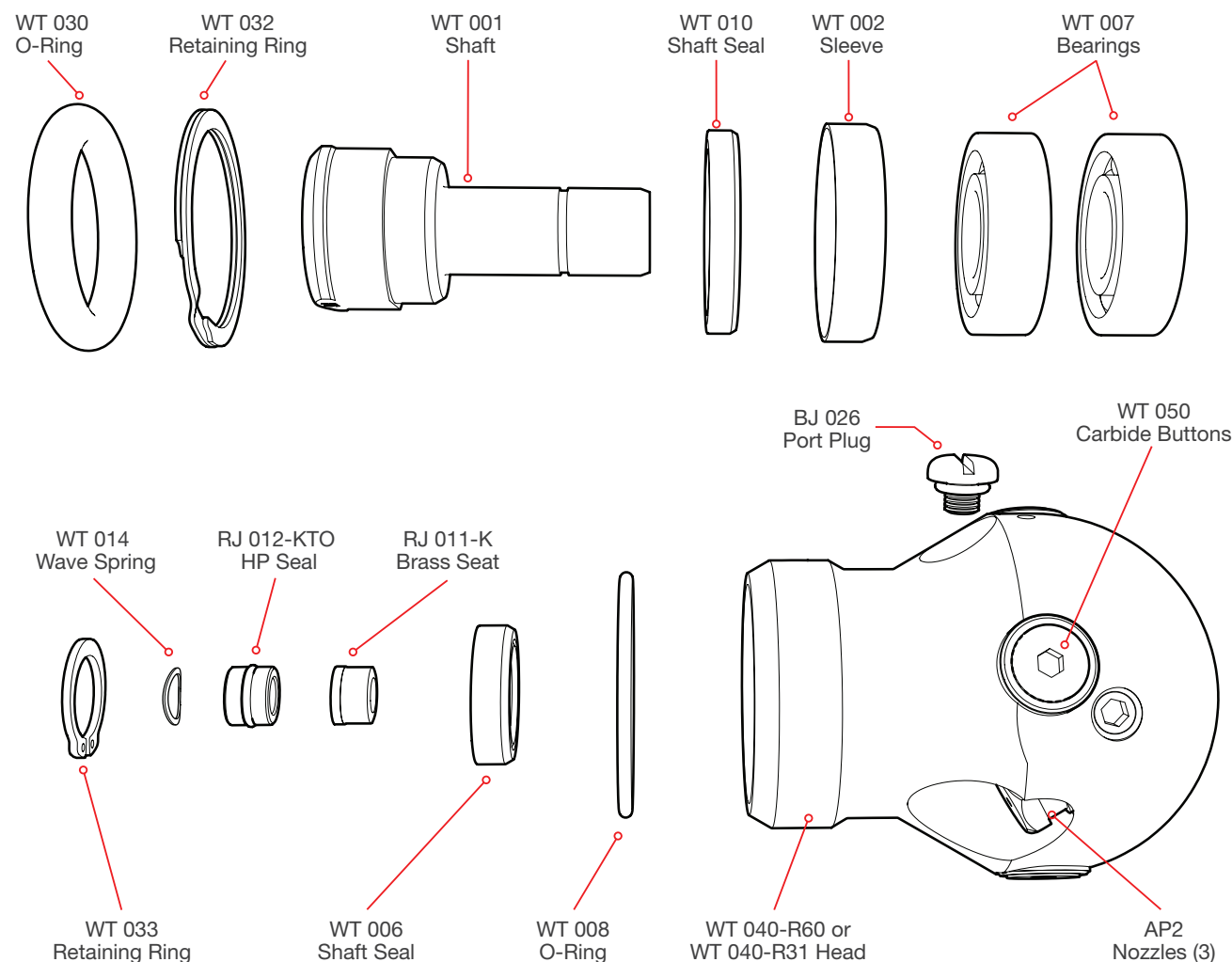
WT-3/8-C	Up to 5k psi (350 bar)
3"-6" Lines (76-152 mm)	5-12 gpm Flows (20-45 l/min)
	Classic Workhorse Model

WT-3/8-C Specifications

MAXIMUM PRESSURE	5k psi	350 bar
OPERATING PRESSURE	1500-5k psi	100-350 bar
ROTATION SPEED	300-500 rpm	
FLOW	5-12 gpm	20-45 l/min
FLOW RATING	0.75 Cv	
PULLING FORCE	5-20 lb	22-90 N
INLET CONNECTION	3/8 NPT or BSPP	
TOOL DIAMETER	1.9 in.	48 mm
LENGTH	3.0 in.	76 mm
NOZZLE PORTS	3 x 1/8 NPT	
WEIGHT COMPLETE	1.2 lb	.54 kg

WT-3/8-C

Exploded View - Part Names and Numbers



Maintenance & Overhaul Kits

WT 600 • SERVICE KIT

- (1) BC 410 Syringe Assembly
- (1) BJ 026 Port Plug
- (1) BJ 048-S Visc. Fluid, 6oz.
- (1) BJ 062-S Antiseize, 2g
- (1) GP 025-P2 Hex Socket Plug
- (1) RJ 011-K Brass Seat
- (1) RJ 012-KTO HP Seal & O-Ring
- (1) WT 014 Wave Spring

WT 602 • SEAL KIT

- (1) RJ 011-K Brass Seat
- (1) RJ 012-KTO HP Seal & O-Ring
- (1) WT 014 Wave Spring

WT 610 • OVERHAUL KIT

- (1) BJ 026 Port Plug
- (1) BJ 048-S Visc. Fluid, 6oz.
- (1) RJ 011-K Brass Seat
- (1) RJ 012-KTO HP Seal & O-Ring
- (1) WT 006 Seal
- (2) WT 007 Bearing, Ball
- (1) WT 008 O-Ring
- (1) WT 010 Seal
- (1) WT 014 Wave Spring
- (1) WT 032 Retaining Ring
- (1) WT 030 O-Ring

WT 612 • TOOL KIT

- (1) BA 100 Retaining Ring Pliers
- (1) WT 105 Tool