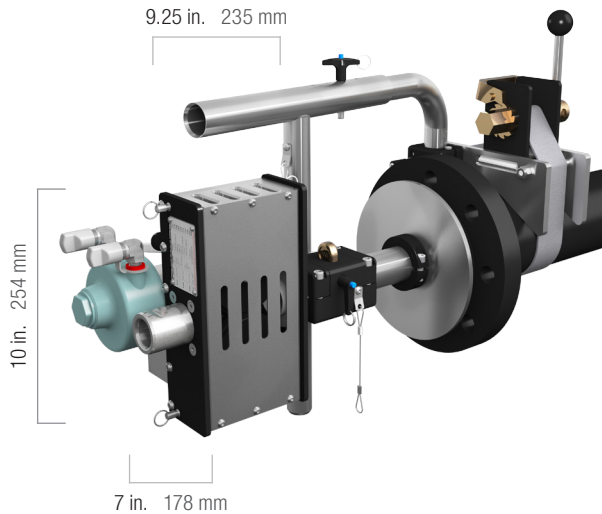


AUTOBOX ABX-PRO

Automated Hose Tractor for Small Pipe Cleaning



OVERVIEW

The AutoBox ABX-PRO is a hose feed tractor engineered with safety, portability and quick setup in mind. This versatile device is designed with multiple mounting options and accessories to adapt it for a wide variety of pipe, drain and tube cleaning applications.

The ABX-PRO is the perfect tool for limited access applications and includes a lightweight control box for increased safety and mobility.

COMPETITIVE ADVANTAGES

- Comes standard with strap and bolt-on mounting accessories for safe pipe cleaning “out of the box”
- Utilizes a first-of-its-kind corrosion-resistant motor
- Weighs only 25 lbs (11 kg)
- All parts are stocked and ready to ship same day to minimize work interruption
- Attaches to LWP positioner for single tube lancing
- Easily adaptable for drain cleaning
- Full line of accessories available to help you make the most of your investment

FEATURES	BENEFITS
<ul style="list-style-type: none"> • 4 sets of rollers handle hose sizes from 3/2 to 8/4 and 3/8 rubber covered 	<ul style="list-style-type: none"> • A single system can handle a wide range of tube/pipe/drain cleaning applications — less equipment to buy
<ul style="list-style-type: none"> • Ultra-portable system design 	<ul style="list-style-type: none"> • Ideal for limited access applications
<ul style="list-style-type: none"> • Independent forward/reverse speed control from 0.2–2.5 ft/sec 	<ul style="list-style-type: none"> • Consistent cleaning in both directions produces better results in less time
<ul style="list-style-type: none"> • Multiple mounting options for pipes with or without a flange 	<ul style="list-style-type: none"> • Quick, easy setup for challenging or unique applications
<ul style="list-style-type: none"> • Portable, ergonomic control box — pedestal-style and hand-held versions available 	<ul style="list-style-type: none"> • Operate all features from outside the blast zone for safety and better line of sight
<ul style="list-style-type: none"> • Built in back-out preventer and splash guard 	<ul style="list-style-type: none"> • Increases job site safety
<p>FULL RANGE OF HOSE STOPS, COLLETS, GUIDE TUBES, AND NOZZLES AVAILABLE</p>	

AUTOBOX ABX-PRO OVERVIEW

CONSIDERATIONS

- What size pipe are you cleaning?
- What size hose/collet will be used?
- Will you mount the system to a pipe flange or use a strap mount?
- Will you require a splash plate?
- Will you require a tube or snout to connect to the pipe?
- Would a 45° snout tube help with accessibility?
- The AutoBox ABX-PRO is well suited for use with Beetle and 2" Badger tools.

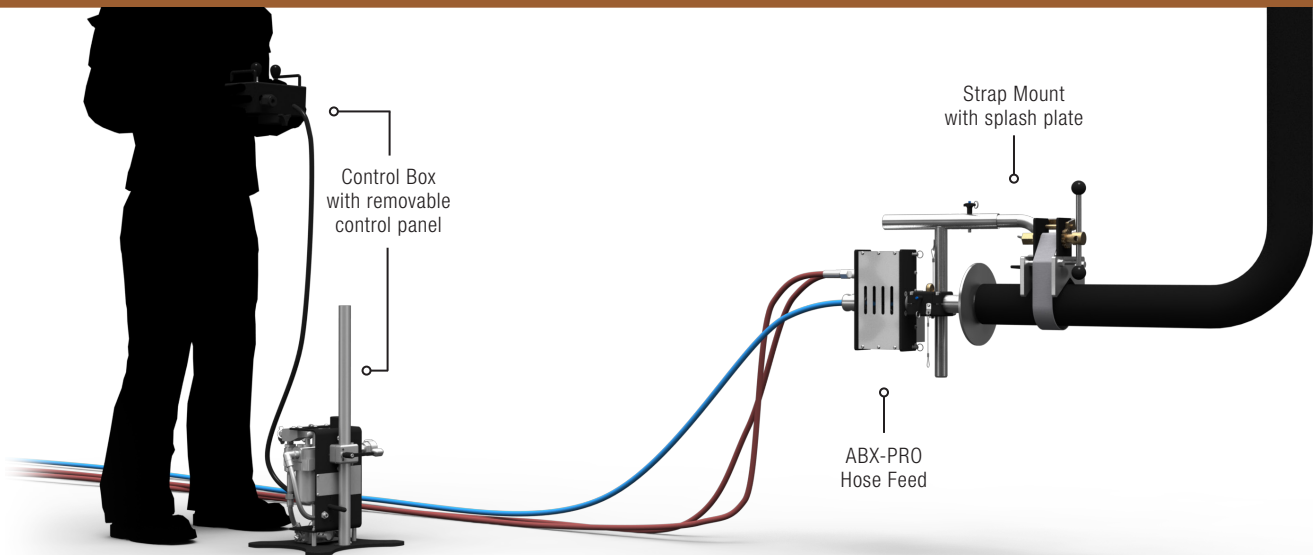
TOOL SPECIFICATIONS

MODEL	ABX-PRO
Pipe Size	2–8 in. 51–203 mm
Feed Rate	1.0–32 in/sec 25–813 mm/s
Hose Size	3/2–8/4, 3/8 Rubber Covered
Dimensions	7 in. x 9.25 in. x 10 in. 178 mm x 235 mm x 254 mm
Weight	25 lb 11.3 kg

Visit our website for tool resources including operation and maintenance videos:

WWW.STONEAGETOOLS.COM

AUTOBOX ABX-PRO CONFIGURATION



A complete AutoBox ABX-PRO configuration includes the following components:

1. Hose feed assembly – includes rollers and collets for 3/2–8/4 hose, mounts and small splash plate
2. Hose stop collet of appropriate size
3. Control box

The following items may also be requested:

- Additional roller and collet sizes
- Snout options
- Large splash plate and flange mount options

AUTOBOX ABX-PRO CONFIGURATION

ORDERING THE PACKAGE

StoneAge offers a preconfigured base package for the AutoBox ABX-PRO that can be ordered in a single Part ID. Optional items can be ordered separately or in kits to safely expand system capability.

The following table shows the configuration of the base package:

PACKAGE PART ID	PACKAGE CONTENTS
ABX-PRO-100-PKG	1 x ABX-PRO-100 Hose feed system assembly
	1 x ABX-PRO Hose feed tractor assembly
	1 x PRO 174-46-K 0.46" Roller Kit
	1 x BOP 030 Collet block assembly
	1 x BOP 010-2-4-QTR Quarter Plate Assembly, 2-4" Pipes
	1 x BOP 050 Strap mount assembly
	1 x BOP 081-6 Tube snout, 6"
	1 x BOP 012 Weldment, Splash Plate
	2 x PRO 174-34 0.34" Roller
	2 x PRO 174-58 0.58" Roller
	1 x FF 121-XXX* Hose stop collet
	1 x CB-ABX-PRO-100-P Control box, Pedestal

*Specify collet size based on hose

Roller Options

PART ID	DESCRIPTION
PRO 174-34-K	Kit, Roller, Poly Urethane, .34 (2 rollers)
PRO 174-46-K	Kit, Roller, Poly Urethane, .46 (2 rollers)
PRO 174-58-K	Kit, Roller, Poly Urethane, .58 (2 rollers)
PRO 174-89-K	Kit, Roller, Poly Urethane, .89 (2 rollers)
PRO 174-34	Single Roller, Polyurethane, .34
PRO 174-46	Single Roller, Polyurethane, .46
PRO 174-58	Single Roller, Polyurethane, .58
PRO 174-89	Single Roller, Polyurethane, .89

Collet Options

PART ID	DESCRIPTION
FF 121-297	Hose Stop, Collet Style, Single, .297
FF 121-406	Hose Stop, Collet Style, Single, .406
FF 121-438	Hose Stop, Collet Style, Single, .438
FF 121-460	Hose Stop, Collet Style, Single, .460
FF 121-484	Hose Stop, Collet Style, Single, .484
FF 121-516	Hose Stop, Collet Style, Single, .516
FF 121-547	Hose Stop, Collet Style, Single, .547
FF 121-594	Hose Stop, Collet Style, Single, .594
FF 121-625	Hose Stop, Collet Style, Single, .625
PRO 621	Kit (Standard), Collets, (1ea .297 - .516)
PRO 622	Kit (Extended), Collets, (1ea .297 - .625)

Other Options

PART ID	DESCRIPTION
BOP 010-2-4-QTR	Quarter Plate Assembly, 2in-4in
BOP 010-4-8	Flange Mount Plate Assembly, 4in-8in
ABX-PRO	AutoBox Hose Feed Tractor Assembly
BOP 012	Weldment, Splash Plate
BOP 030	Collet Block Assembly
BOP 050	Strap Mount Assembly
BOP 081-6	Tube, Snout, SS, 6in
CB 770	Kit, CB conversion, side latch

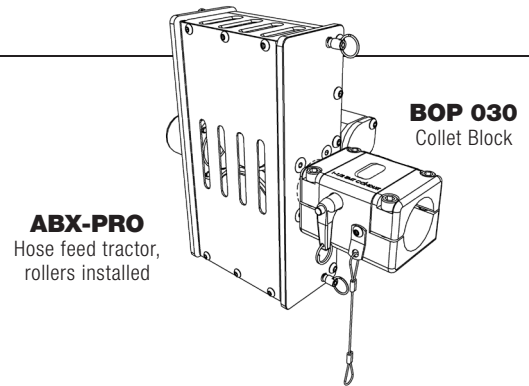
ORDERING BY LINE ITEM

A complete AutoBox ABX-PRO system can be configured by line item by following the steps outlined below. Contact StoneAge Customer Service for questions about specific applications.

STEP 1 HOSE FEED TRACTOR

The AutoBox ABX-PRO tractor is the primary component of the hose feed system. The tractor comes stocked with:

PART ID	DESCRIPTION
ABX-PRO	Hose feed tractor
PRO 174-46-K	0.46" Roller Kit (installed)
BOP 030	Collet block



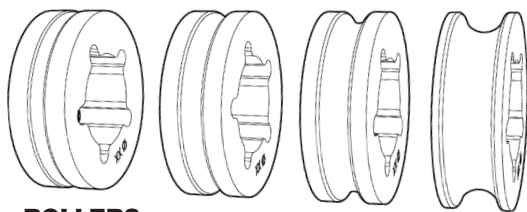
STEP 2 ROLLERS & COLLET STOPS

The AutoBox ABX-PRO hose feed assembly comes installed with 2 x Ø.46 rollers. Additional sizes can be ordered separately or in kits of two. A collet stop is also required for most configurations. The hose OD determines the sizes needed to interface with the hose selected.

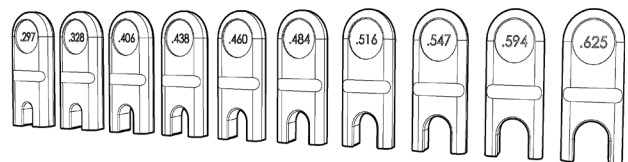
The table below describes recommended rollers and collets for common hose sizes:

ROLLER	HOSE OD	SPIR STAR	PARKER	COLLET
PRO 174-34 Ø 0.34 in.	0.26–0.38 in.	3/2	2240D-02	FF 121-297
		3/4, 4/2	2240D-025, 2440D-02	FF 121-328
		3/6, 5/2	2240D-03	FF 121-406
PRO 174-46 Ø 0.46 in.	0.39–0.50 in.	4/4	2448D-025	FF 121-438
		4/6, 5/4, 6/2	2240D-04	FF 121-460
			2640D-025, 2740D-03	FF 121-484
		6/4	2440D-04	FF 121-516
PRO 174-58 Ø 0.58 in.	0.51–0.61 in.	5/6, 8/2	2240D-05, 2740D-03	FF 121-547
		8/4		FF 121-594
			2440D-05	FF 121-625
PRO 174-89 Ø 0.89 in.	0.80–0.93 in.	3/8" Rubber WB Hose		N/A

Please Note: A collet is required when using Banshee and Beetle series tools. It is the responsibility of the user to select proper sizing to ensure the end sleeve of the hose will not pass through the collet.



ROLLERS



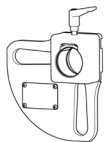
HOSE STOP COLLETS

AUTOBOX ABX-PRO CONFIGURATION

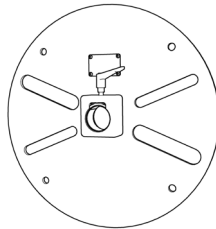
STEP 3 MOUNTING OPTIONS

Mounting options for the ABX-PRO system:

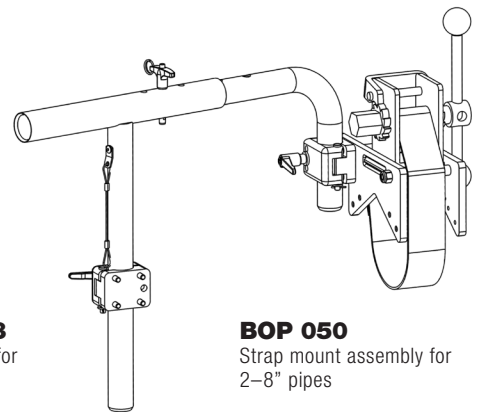
PART ID	DESCRIPTION
BOP 010-2-4 QTR	Flange mount/backout preventer, 2–4" pipes
BOP 010-4-8	Flange mount plate/backout preventer, 4–8" pipes
BOP 050	No-flange strap mount assembly, 2–8" pipes



BOP 010-2-4 QTR
 Quarter flange mount for
 2–4" pipes



BOP 010-4-8
 Full flange mount for
 4–8" pipes

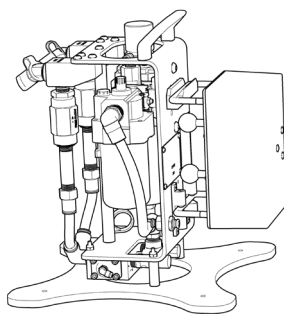


BOP 050
 Strap mount assembly for
 2–8" pipes

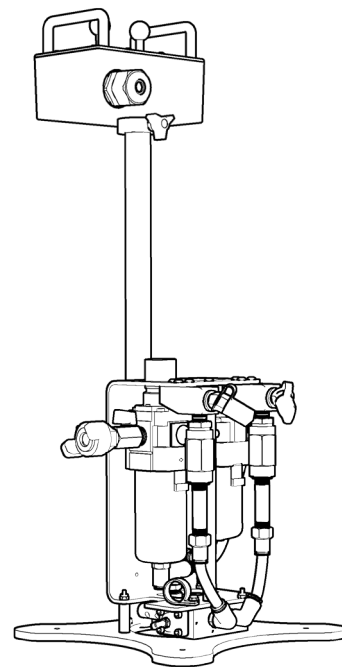
STEP 4 CONTROL BOX

The control box facilitates remote operation of all functions of the ABX-PRO and comes supplied with air hoses.

PART ID	DESCRIPTION
CB-ABX-PRO-100-P	Control Box, Pedestal
CB-ABX-PRO-100-S	Control Box, Side Latch
CB 770	Kit, CB conversion, side latch



CB-ABX-PRO-100-S
 Side latch style control box



CB-ABX-PRO-100-P
 Pedestal style control box

STEP 5 ACCESSORIES

The following accessories are available for the AutoBox ABX-PRO:

PART ID	DESCRIPTION
LWP-500-V2	Lightweight Positioner Adapts the ABX-PRO for single tube lancing
BOP 035-XX	Guide tube collet block Adapts the ABX-PRO for single tube lancing
PRO-700	ProDrain Adapts the ABX-PRO for drain cleaning
BOP 012	Splash plate, 2–8" pipes Used for deflecting effluent and rearward jets in larger pipes; attaches to the BOP 081-6 or similar tube
BOP 081-6	Snout Tube 1.75 x 6 SS Used to provide a flush or overlapping interface to the end of the pipe; clamps into the end of the BOP 030 collet block 304 stainless steel tube, 6" straight unthreaded
BOP 084	Snout Tube, 1.75 x 1.25 NPTM AL Used to adapt the BOP 090 Snout to your application; clamps into the BOP 030 collet lock or BOP 010 flange plate Aluminum tube with 1-1/4 NPT ends, 4" straight threaded
BOP 082-9-45	Snout Tube 1.75 x R9 x 45deg Used in place of the straight BOP 081-6 tube for alternative mounting options Galvanized steel with a 9 in bend radius and 45° sweep
BOP 090	Snout, 6 ft pipe attachment Used adapting to tight spaces or moving the tractor away from the pipe interface Flexible corrugated SS, 1-1/4 camlocks included
BOP 085	Camlock, 1.25F x 1.25 NPTF Used in conjunction with the BOP 084 to interface the BOP 090 Snout 1-1/4 Female camlock end with 1-1/4 Female NPT
BOP 086	Camlock, 1.25M x 1.25 NPTF Used in conjunction with the BOP 084 to interface the BOP 090 Snout 1-1/4 Male Camlock end with 1-1/4 Female NPT