

“ The maneuverability and portability of the Striker is a vast improvement in the evolution of automation for shotgunning applications.
JAMES SHAFER
DEBUSK SERVICES GROUP

SURFACE PREPARATION

NEW FOR 2016

STRIKER™

The Striker SKR-100 is the industry's first commercially available portable remote shotgun system. Designed for hands-free shotgun applications, the Striker emphasizes safety, usability, and ease of assembly.

This modular system combines a rotary shotgun arm and positioning system to provide a powerful alternative to manual shotgun cleaning and surface preparation.

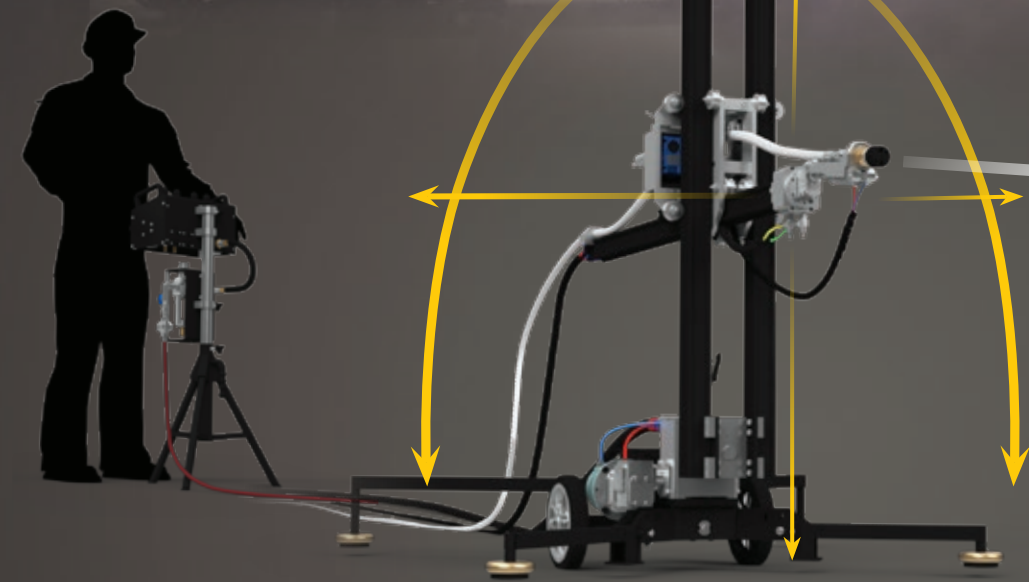
FEATURES:

- Modular system designed for portability and easy assembly
- Removes the operator away from cleaning surface
- Lightweight components for single operator setup and use
- Wheeled base for easy maneuverability
- Ergonomic control box offers intuitive remote operation
- Affordable alternative to complicated robotic systems
- Higher productivity over time

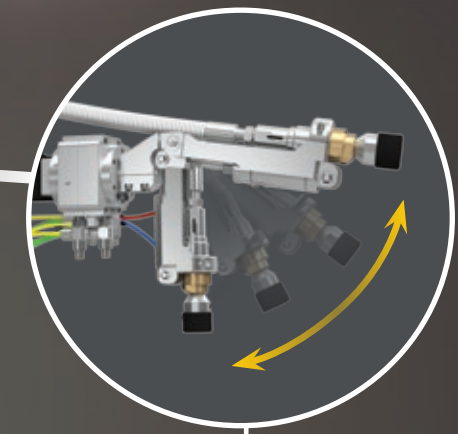
**Rotary nozzle and feed hose sold separately*



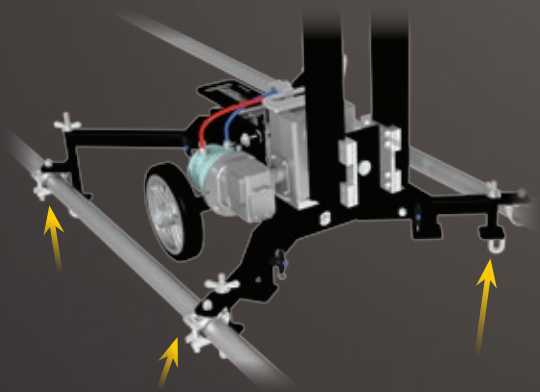
Tool Model	Pressure Range	Jet Reaction Force	Weight
SKR-100	Up to 40k psi 2800 bar	Up to 70 lb 32 kg	260 lbs 118 kg



CLEANING WINDOW OPERATES ON THE X, Y AND Z AXIS
 52 in. (132 cm) deep, 52 in. (132 cm) high, 84 in. (213 cm) wide



FULL WRIST ARTICULATION
 Allows the "wrist" of the Striker to both flex 80 degrees and rotate up to 270 degrees.



OPTIONAL SCAFFOLD & J-HOOK MOUNTS
 Can be mounted to scaffolding or grating.



MODULAR SYSTEM
 Designed for portability and easy assembly.



WIRELESS CONTROL & TRACK BASE
 Reposition Striker and maintain line of sight from outside the blast zone.