



# AUTOMATED TANK CLEANING

## TORUS® TR-130

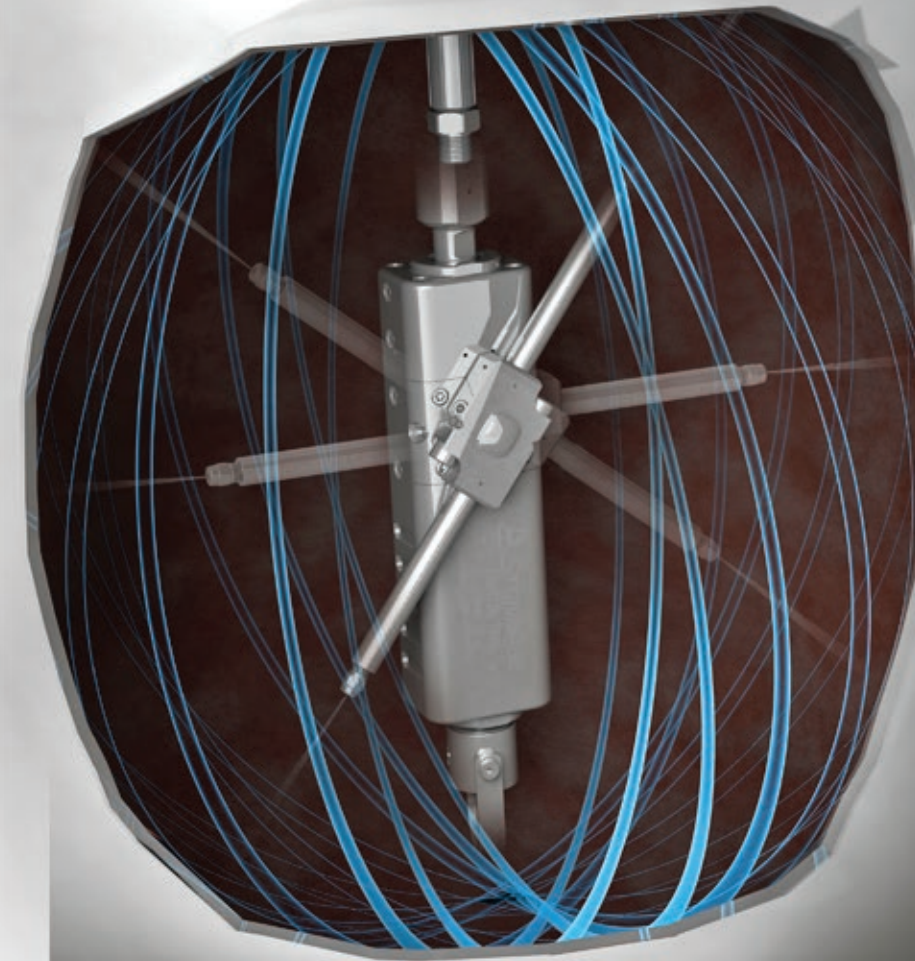
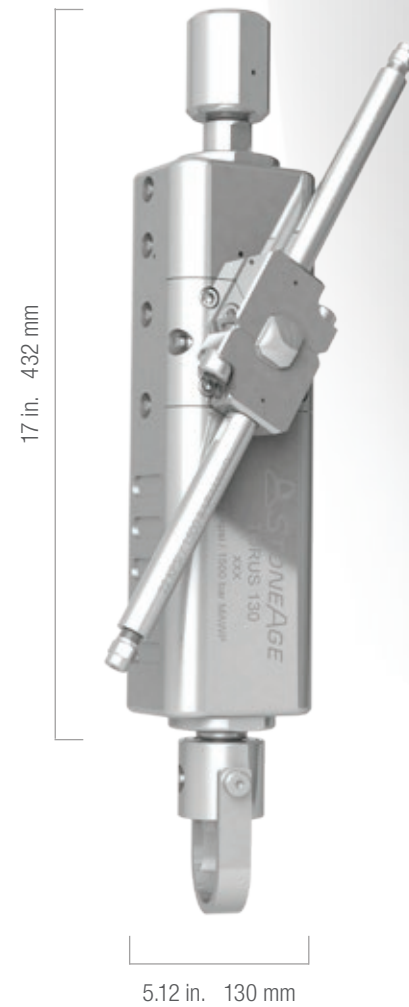
3D Tank and Vessel Cleaning

The Torus TR-130 is a powerful and highly adaptable 3-D cleaning tool designed to easily adjust to a wide range of pump capacities, working pressures, and cleaning applications.

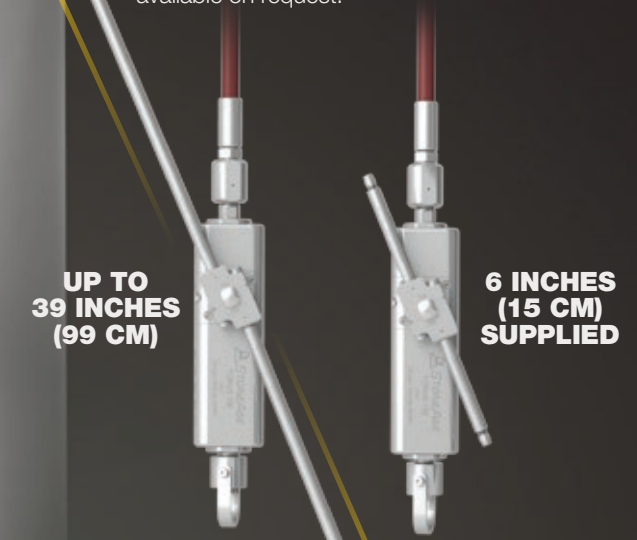
Today's cleaning environments demand hands-free automated technology for increased safety. When the Torus TR-130 is combined with our positioning equipment in chemical and power plants these challenges are met.

### FEATURES:

- Small entry diameter enables access to more tanks and vessels
- If the arms hit an internal obstruction while in operation, the Torus TR-130 simply stops rotating without damaging the gear mechanism
- Minimal pressure loss which provides more power delivery than other tools on the market
- Interchangeable manifolds and couplings allow the operator to use the TR-130 on different pumps ranging from 10k psi (700 bar) to 20k psi (1500 bar)
- Wide range of accessories available including positioning devices, cage centralizers and extensions help adapt the Torus TR-130 to specific needs and jobs

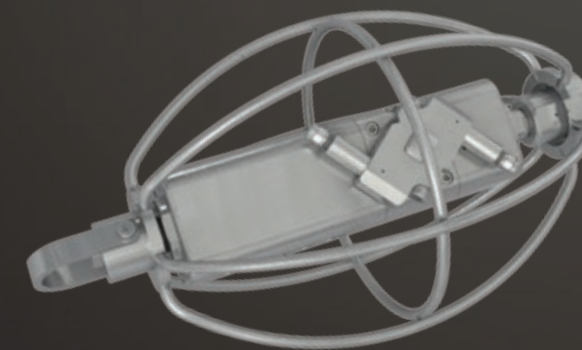


**EXTENSION NIPPLES**  
The Torus TR-130 is supplied two standard 6 in (15 cm) nipples. Longer extension nipples can be supplied up to a maximum length of 39 in (99 cm). Custom lengths are available on request.



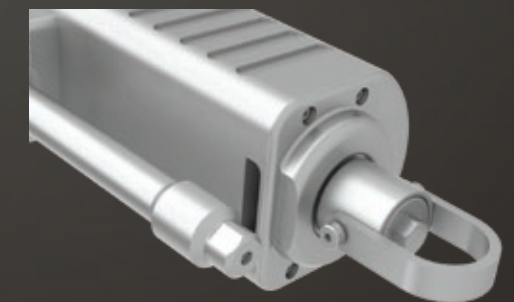
### TR 408-SS – CAGE CENTRALIZER

The Torus TR-130 can be fitted with a cage-style centralizer. This is ideal for applications where debris or internal structures may interfere with the cleaning operation. Nipples 2 in. (51 mm) length must be used with the centralizer.



### PULLING RING

A pulling ring is available for the TR-130. It is fitted on the opposite end of the tool from the hose inlet.



Tool Model	Pressure Range	Flow Range	Cycle Time	Inlet Connection	Rotation Speed	Weight
TR-130	2–22k psi 138–1500 bar	10-81 gpm 38-307 l/min	4–24 minutes	3/4 NPT, 1 NPT, 3/4 MP, 1 MP, M24	Adjustable	35 lb 16 kg

### MAINTENANCE RESOURCES

Tool	Service Kit	Seal Kit	Overhaul Kit	Manual
TR-130	TR130 600	TR 602	TR130 610	PL 556