



**OPERATING WATERBLASTING EQUIPMENT  
CAN BE POTENTIALLY HAZARDOUS.  
SEE PAGE 97 FOR IMPORTANT SAFETY INFORMATION**

# AUTOMATED TANK CLEANING

## TORUS® TR-200

High Flow 3D Tank and Vessel Cleaning

The Torus TR-200 is the industry's most powerful 3-D tool. It is capable of delivering flows up to 220 gpm (830 l/min) with minimal pressure loss. Applying higher flows allows contractors to remove thicker deposits and deliver longer and harder hitting jets from further distances. This is ideal for cleaning large tanks, removing coke deposits, and other hard to handle applications and materials.

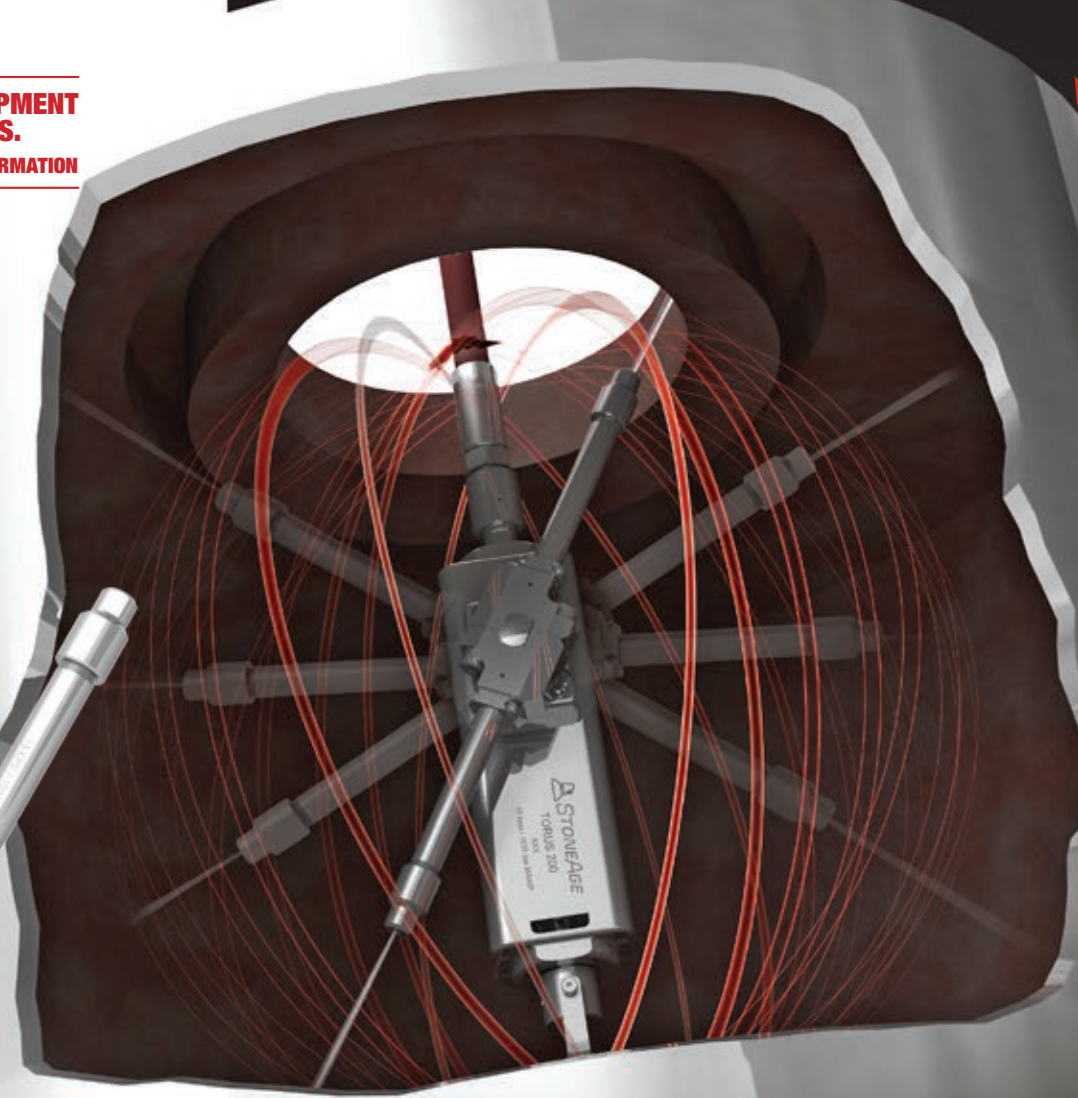
### FEATURES:

- Small entry diameter and light weight enable easy transport, setup, storage, and access to more tanks and vessels
- If the arms hit an internal obstruction while in operation, the Torus TR-200 simply stops rotating without damaging the gear mechanism
- Side by side field trials prove that the Torus TR-200 experiences less pressure loss than competitive tools on the market – less pressure loss equals more power delivered to the cleaning surface and greater productivity
- Positioning devices and extensions help adapt the Torus TR-200 to specific needs



22.8 in. 579 mm

8.0 in. 200 mm

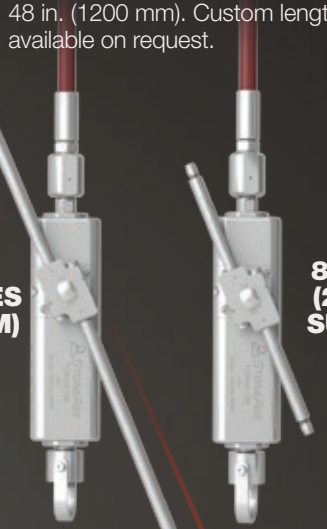


### EXTENSION NIPPLES

The Torus TR-200 is supplied with two standard 8-inch (203 mm) extension nipples. Longer nipples can be supplied up to a maximum length of 48 in. (1200 mm). Custom lengths are available on request.

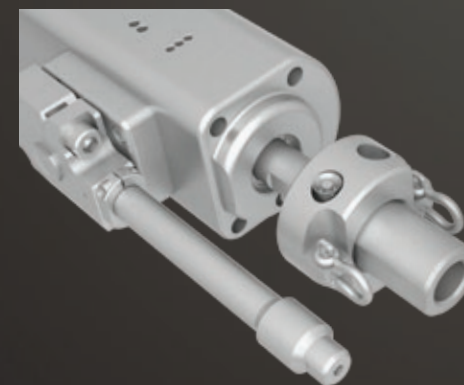
UP TO  
48 INCHES  
(1200 MM)

8 INCHES  
(203 MM)  
SUPPLIED



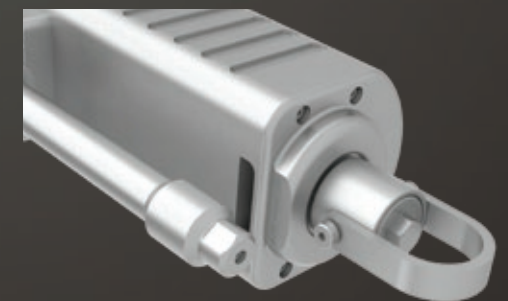
### LIFTING ASSEMBLY

The Torus TR-200 comes with a heavy duty and versatile lifting assembly. It includes two quick release pins, two ring attachments, and a choice of P16 or MP16 coupling.



### PULLING RING

A pulling ring is available for the Torus TR-200. It is fitted on the opposite end of the tool from the hose inlet.



Tool Model	Pressure Range	Flow Range	Cycle Time	Inlet Connection	Rotation Speed	Weight
TR-200	8–15k psi 550–1000 bar	50–220 gpm 190–830 l/min	10–88 minutes	P16 (up to 12k psi MAWP) MP16 (up to 15k psi MAWP)	Adjustable	100 lb 45 kg

### MAINTENANCE RESOURCES

Tool	Service Kit	Seal Kit	Overhaul Kit	Manual
TR-200	TR200 600	TR200 602	TR200 610	PL 557