



CURVED PIPE CLEANING

NEW FOR 2016

2" BADGER®

Rotary Cleaning for Small Pipes with Elbows

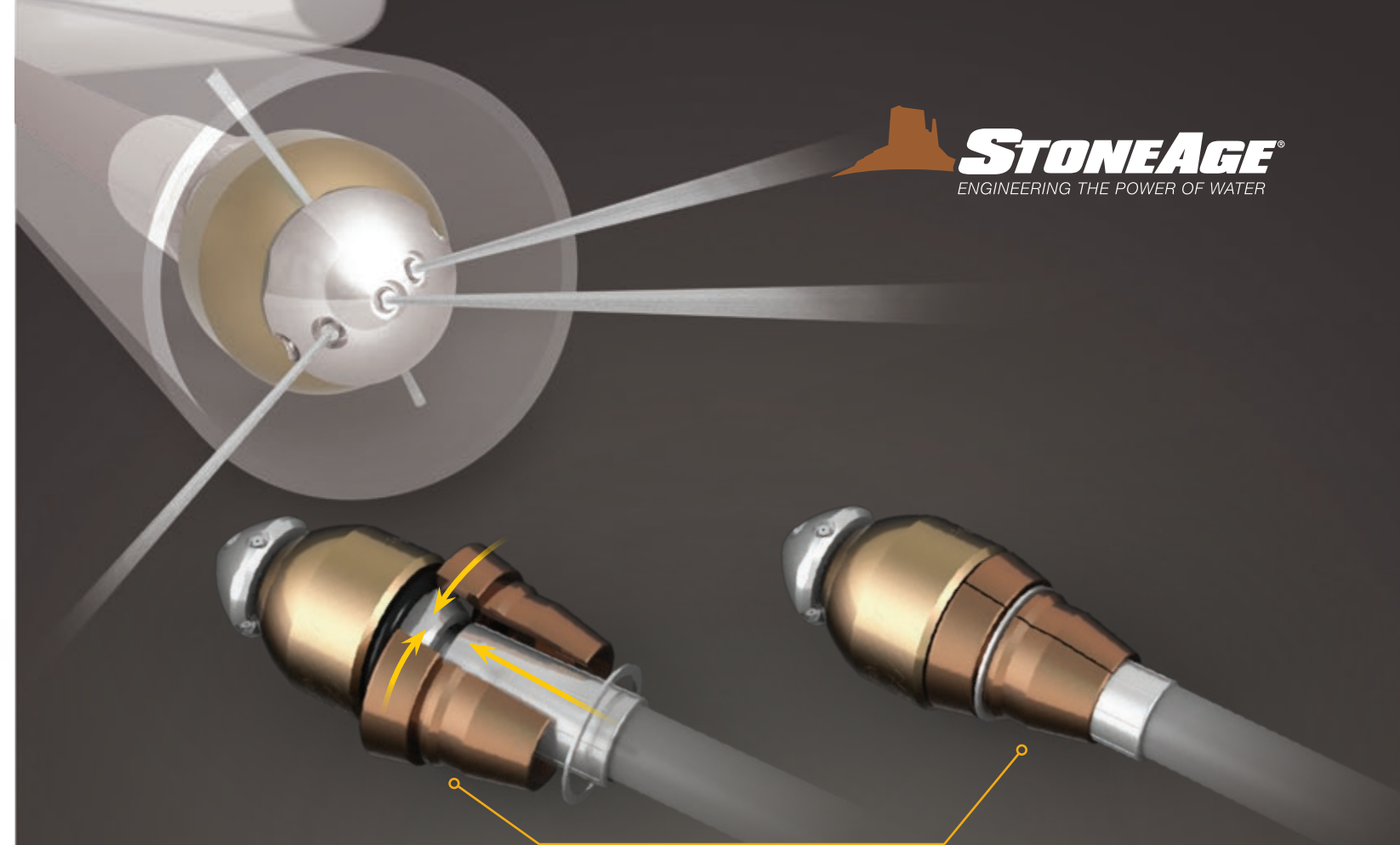
The 2" Badger is a self-rotating tool designed for cleaning 2–4 in. (51–102 mm) pipes with bends and long radius elbows such as U-Tubes and process lines. The latest design includes a spring-loaded pin that ratchets the head to machined edges on the shaft. Therefore, the head can only be removed with a special head removal tool and not while in operation.

FEATURES:

- The only self-rotary tool on the market that can navigate 2 in. (50 mm) pipes with bends
- The only tool in the industry with head locking technology for increased safety
- Multiple jetting options allow the tool to be optimized for a variety of pump pressures and flows. Unplug, polish, or run longer lines based on jetting
- Pair with the ProDrive for hands-free mole lining



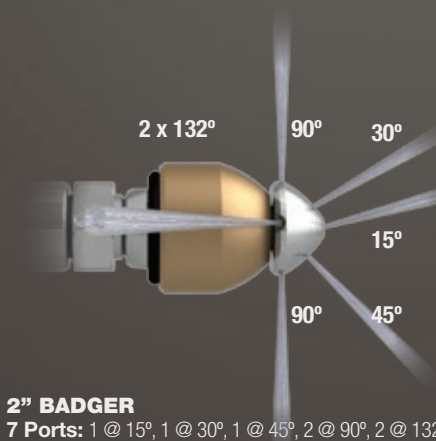
| Tool Model | Pressure Range | Flow Range | Inlet Connection | Weight | Max Water Temperature |
|--------------------------|----------------------------|-------------------------|------------------------|--------------------|-----------------------|
| BA-LK-P4 BA-LK-BSPP4 | 2–15k psi 140–1000 bar | 3–20 gpm 11–76 l/min | 1/4 NPT or 1/4 BSPP | 0.45 lb 0.20 kg | 250 °F 120 °C |
| BA-LK-MP9L BA-LK-MP9R | 12–22k psi 830–1500 bar | 3–15 gpm 11–57 l/min | 9/16 MP or M24 | 0.45 lb 0.20 kg | 250 °F 120 °C |



NEW BA-530 FAIRING

Specifically designed to be attached to the hose behind a 2" Badger rotary pipe cleaning tool.

The tapered sides of the fairing prevent the rear edge of the Badger from getting caught on obstructions when being removed from a pipe.



2" BADGER
7 Ports: 1 @ 15°, 1 @ 30°, 1 @ 45°, 2 @ 90°, 2 @ 132°

NOZZLES AND PLUGS

The 2" Badger can be jetted in different configurations depending on the application. The image below shows the standard nozzle/plug configuration for the 2" Badger tool.

| Tool | Tool Kit | Manual |
|-----------|-----------|--------|
| 2" BADGER | BA 612-LK | PL 593 |