



**OPERATING WATERBLASTING EQUIPMENT
CAN BE POTENTIALLY HAZARDOUS.
SEE PAGE 97 FOR IMPORTANT SAFETY INFORMATION**



CURVED PIPE CLEANING

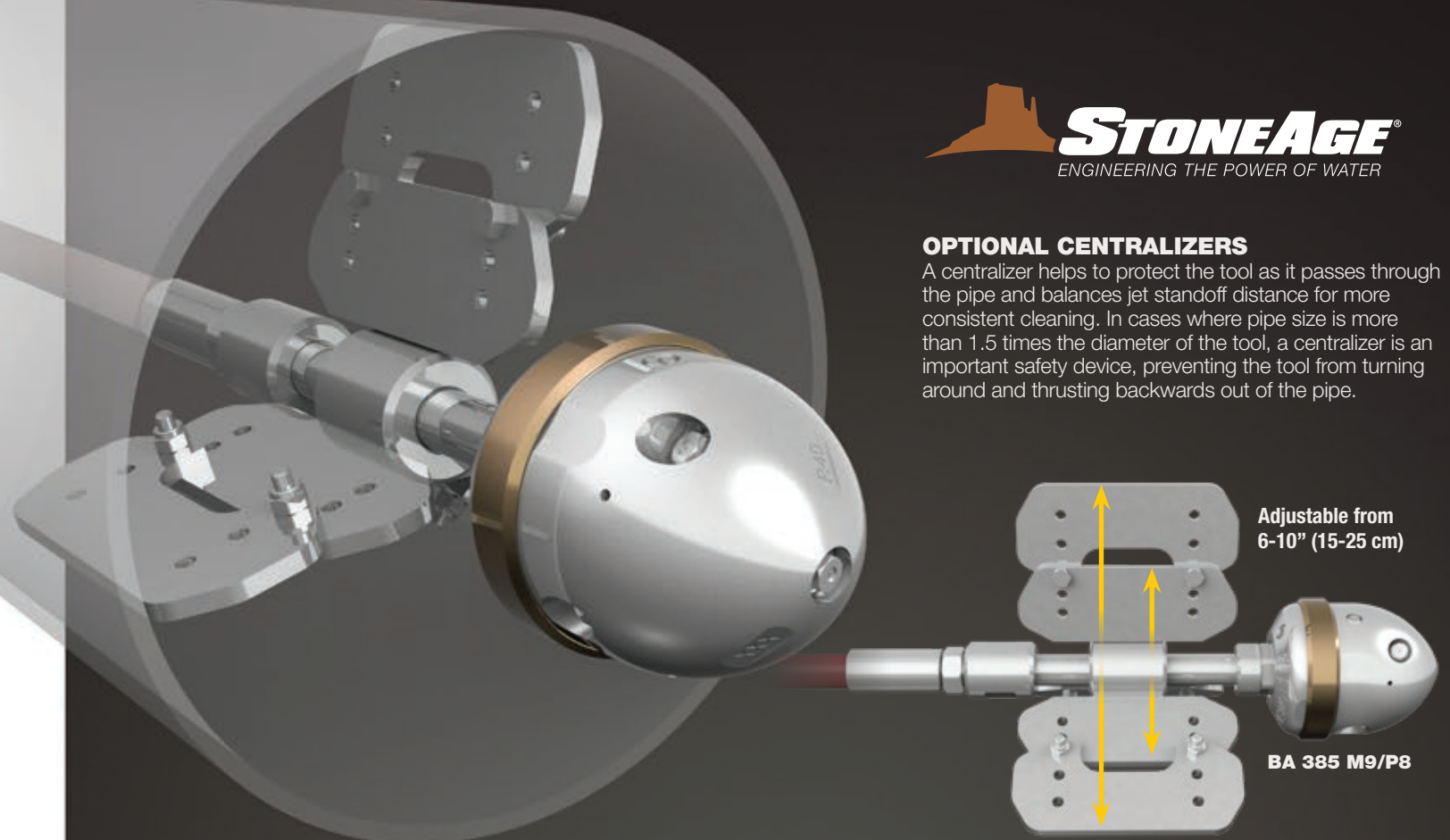
6" BADGER®

Rotary Cleaning for Large Pipes with Elbows

The 6" Badger self-rotary tool features adjustable speed control which allows operators to meet the demands of the task at hand – slower rotational speeds for tough deposits and plugs, faster rotation for easier jobs or polishing.

FEATURES:

- Only rotary pipe cleaning tool on the market with adjustable speed control for fine-tuning to specific requirements
- Different jetting configurations allow for more or less pull and forward hitting power
- Navigates elbows as small as 6 in. (152 mm)
- Speed controlled rotary tools provide complete internal coverage, while speed control provides optimum jet delivery
- Maximize cleaning by choosing slower speeds for hard to clean or plugged pipes and faster speeds for polishing easy to clean pipes with a single tool
- Optimize the tool for a variety of pumps pressures and flows with multiple jetting options
- Pair with the ABX-500 for hands-free pipe cleaning



OPTIONAL CENTRALIZERS

A centralizer helps to protect the tool as it passes through the pipe and balances jet standoff distance for more consistent cleaning. In cases where pipe size is more than 1.5 times the diameter of the tool, a centralizer is an important safety device, preventing the tool from turning around and thrusting backwards out of the pipe.

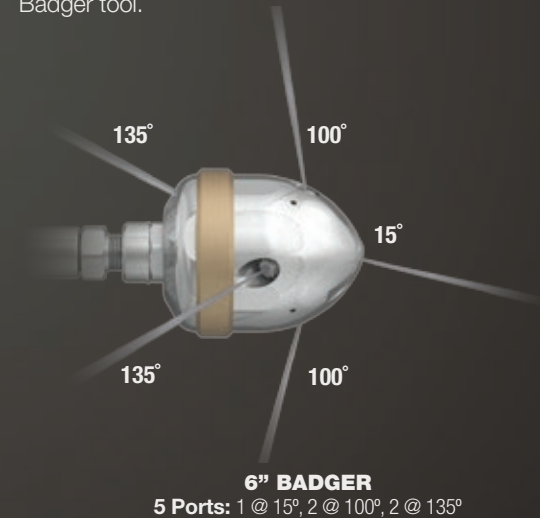
BACKOUT PREVENTERS

Increase safety by keeping the tool from backing out of the pipe. Several options are available including fixtures for small diameter pipes, pipes with various flange bolt circle diameters, and adapters for pipes with no-flange entry.



NOZZLES AND PLUGS

The 6" Badger can be jetted in different configurations depending on the application. The image below shows the standard nozzle/plug configuration for the 6" Badger tool.



Tool Model	Pressure Range	Flow Range	Rotation Speed	Inlet Connection	Weight	Max Operating Temperature
BA-MP9/BA-M24	12–22k psi 840–1500 bar	14–43 gpm 53–163 l/min	50–300 rpm (Adjustable)	9/16 MP, M24	8.0 lbs 3.6 kg	250 °F 120 °C
BA-P8	2–15k psi 140–1000 bar	15–55 gpm 57–208 l/min	50–300 rpm (Adjustable)	1/2 NPT	8.0 lbs 3.6 kg	250 °F 120 °C

MAINTENANCE RESOURCES

Tool	Seal Kit	Service Kit	Overhaul Kit	Disk Kit	Tool Kit	Lubricant	Manual
BA-P8	BA 602-P8/MP9	BA 600-P8/MP9	BA 610-P8/M9	BA 606	BA 612-P8/MP9	BJ 048-F	PL 503
BA-M24	BA 602-P8/MP9	BA 600-P8/MP9	BA 610-P8/M9	BA 606	BA 612-P8/MP9	BJ 048-F	PL 503
BA-MP9	BA 602-P8/MP9	BA 600-P8/MP9	BA 610-P8/M9	BA 606	BA 612-P8/MP9	BJ 048-F	PL 503