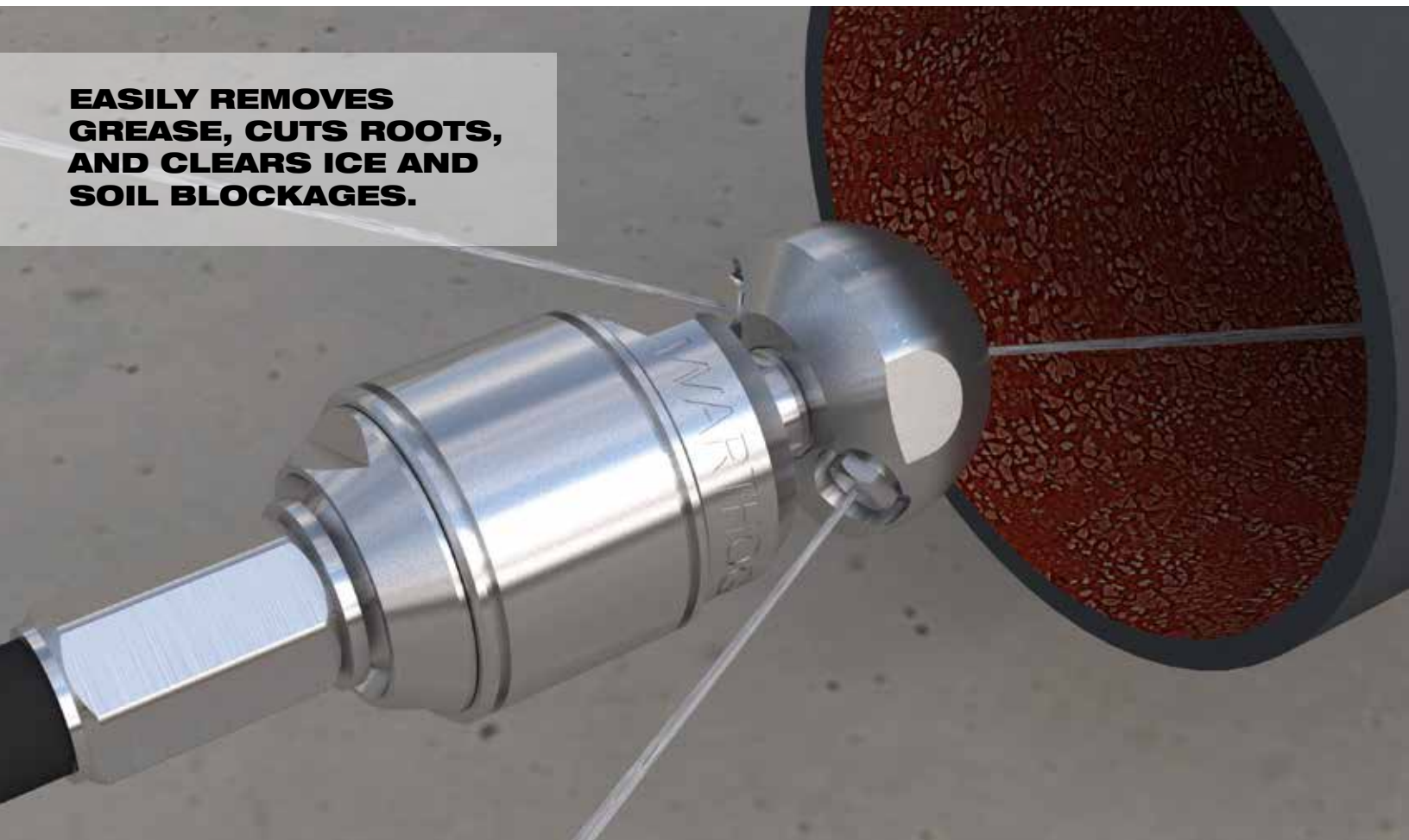




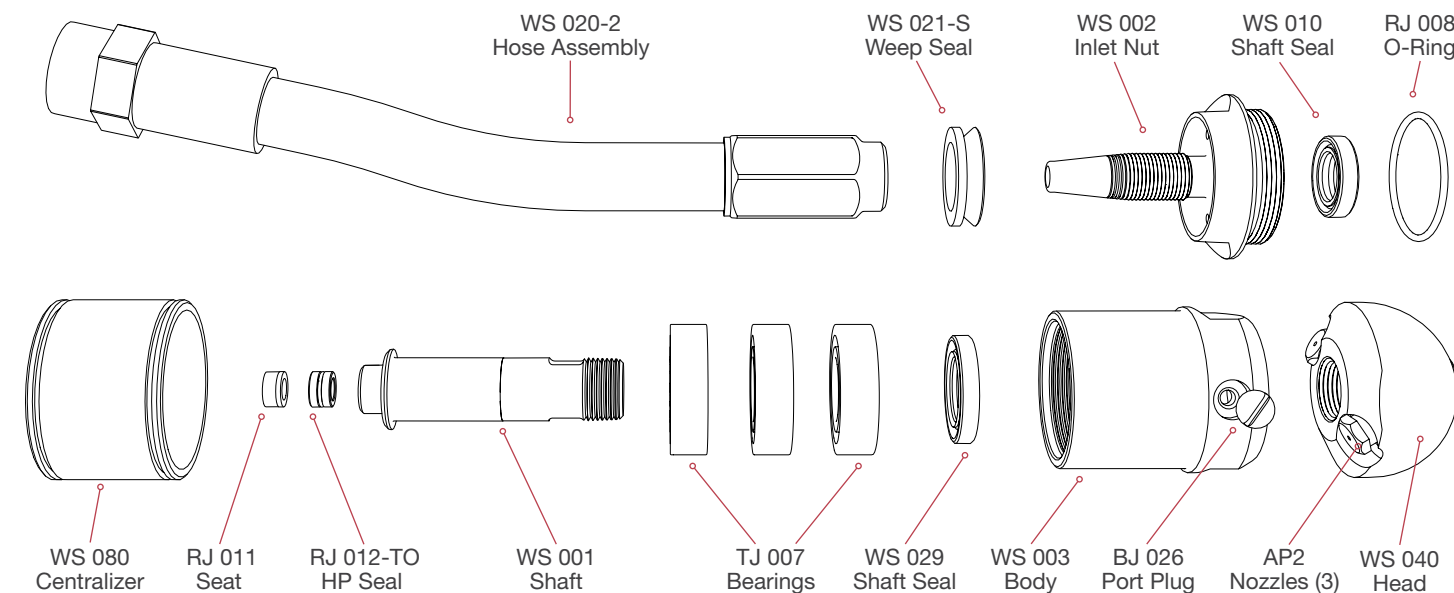
OPERATING WATERBLASTING EQUIPMENT CAN BE POTENTIALLY HAZARDOUS. SEE PAGE 37 FOR IMPORTANT SAFETY INFORMATION.

**EASILY REMOVES GREASE, CUTS ROOTS, AND CLEARS ICE AND SOIL BLOCKAGES.**



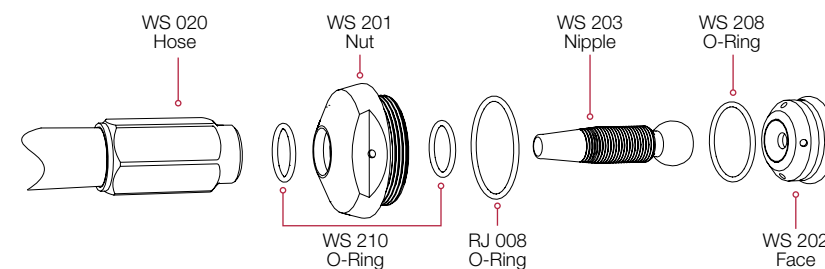
## WS-1/2

Exploded View - Part Names and Numbers



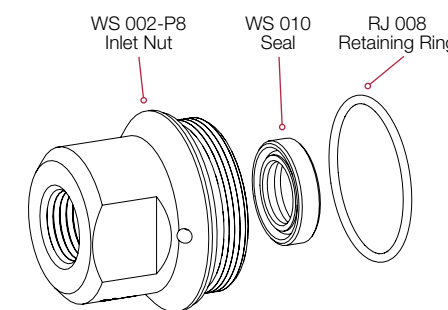
## WS-1/2-J

Inlet Area Parts



## WS-P8

Inlet Area Parts



## WS-1/2 CLASSIC

4"-8" (102-204 mm) Lines

The WS-1/2 is designed to handle 4"-8" (102-204 mm) lines and is most commonly used with trailer jettors. It is used to clean lines in restaurants, hospitals, multi-story apartment buildings, residential, and other applications. Easily removes grease, cuts roots, and clears ice and soil blockages.

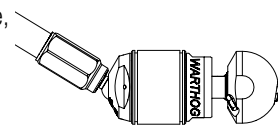
<b>WS-1/2</b> 4"-8" Lines (102-204 mm)	Up to 5k psi (350 bar)
	8-20 gpm Flows (30-76 l/min)
	Three Models Available

### WS-1/2 Specifications

<b>MAXIMUM PRESSURE</b>	5k psi (350 bar)
<b>OPERATING PRESSURE</b>	1500-5k psi (100-350 bar)
<b>ROTATION SPEED</b>	200-500 rpm
<b>FLOW</b>	8-20 gpm (30-76 l/min)
<b>FLOW RATING</b>	1.3 Cv
<b>PULLING FORCE</b>	9-27 lb (40-120 N)
<b>INLET CONNECTION</b>	1/2 NPT & BSPP
<b>TOOL DIAMETER</b>	1.9 in. (48 mm)
<b>LENGTH</b>	4.4 in. (112 mm)
<b>NOZZLE PORTS</b>	3 x 1/8 NPT
<b>WEIGHT COMPLETE</b>	2.95 lb (1.33 kg)

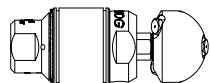
### WS-J JOINTED INLET MODELS

This model allows the inlet hose to bend to the side, shortening the rigid length of the tool and allowing limited access applications to be cleaned much easier. 1/2" NPT or BSPP inlet ports available.



### WS-P8 OPTIONAL RIGID INLETS

The WS-P8 is excellent for straight pipes. The whip hose is removed, allowing the hose to connect directly to the tool. Available with a female 1/2" NPT or BSPP connection.



**NOTE:** 4" (102 mm) 90° bends are no longer negotiable in this configuration.

### Maintenance & Overhaul Kits

#### WS 600 • SERVICE KIT

- (1) BC 410 Syringe Assembly
- (1) BJ 048-S Visc. Fluid, 6oz.
- (1) BJ 062-S Antiseize, 2g
- (1) GP 025-P2 Hex Socket Plug
- (1) RJ 011 Brass Seat
- (1) RJ 012-TO HP Seal & O-Ring

#### WS 610 • OVERHAUL KIT

- (1) BJ 026 Port Plug
- (1) BJ 048-S Visc. Fluid, 6oz.
- (1) BJ 062-S Antiseize, 2g
- (1) RJ 008 O-Ring
- (1) RJ 011 Brass Seat
- (1) RJ 012-TO HP Seal & O-Ring
- (3) TJ 007 Ball Bearings
- (1) WS 010 Small Seal
- (1) WS 021-S Weep Seal
- (1) WS 029 Large Seal

#### WS 610-J • OVERHAUL KIT

- (1) BJ 026 Port Plug
- (1) BJ 048-S Visc. Fluid, 6oz.
- (1) BJ 062-S Antiseize, 2g
- (1) RJ 008 O-Ring
- (1) RJ 011 Brass Seat
- (1) RJ 012-TO HP Seal & O-Ring
- (3) TJ 007 Ball Bearings
- (1) WS 010 Small Seal
- (1) WS 029 Large Seal
- (1) WS 208 O-Ring
- (2) WS 210 O-Rings

#### WS 612 • TOOL KIT

- (1) TJ 064 Fill Tube
- (1) WS 105 Tool

#### WS 602 • SEAL KIT

- (1) RJ 011 Brass Seal
- (1) RJ 012-TO HP Seal & O-Ring