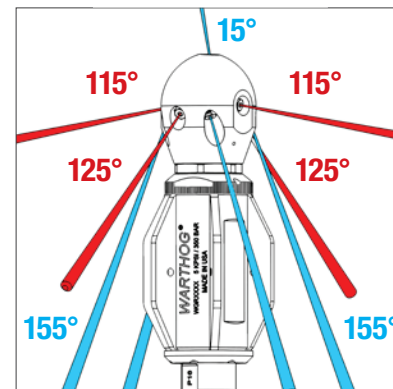


Individually replaceable centralizer fins made from hardened steel

Two sets of jets allow the tool to switch between pulling or cleaning without leaving the pipe



### JET ANGLES



**Pulling/Flushing Mode**  
**Cleaning Mode**

## WGR SWITCHER

**PIPE SIZE:** 8-36" (203-914 MM)

**INLET:** 1" NPT, 1-1/4" NPT OR BSPP

### BENEFITS:

- Two tools in one - both puller and descaler
- Saves time and water
- Switch jet patterns without ever leaving the pipe
- Customized jetting for each mode of operation

| MODEL/INLET   | PRESSURE RANGE |        | FLOW RANGE |         | HEAD            | NOZZLE PORTS | JET TYPE | PORT PLUG   | WEIGHTS |     | DIAMETER X LENGTH |           |
|---------------|----------------|--------|------------|---------|-----------------|--------------|----------|-------------|---------|-----|-------------------|-----------|
|               | PSI            | BAR    | GPM        | LPM     |                 |              |          |             | LB      | KG  | IN.               | MM        |
| WGR-1-SWT     | 1200-5K        | 83-345 | 50-80      | 189-303 | WGR 040-R31-SWT | 9 X 1/8 NPT  | CNP2     | GP 025-P2SS | 14.5    | 6.6 | 4.5 X 11          | 114 X 279 |
| WGR-1 1/4-SWT | 1200-5K        | 83-345 | 80-100     | 303-379 | WGR 040-R20-SWT | 9 X 1/8 NPT  | CNP2     | GP 025-P2SS | 14.9    | 6.8 | 4.5 X 11.5        | 114 X 292 |