

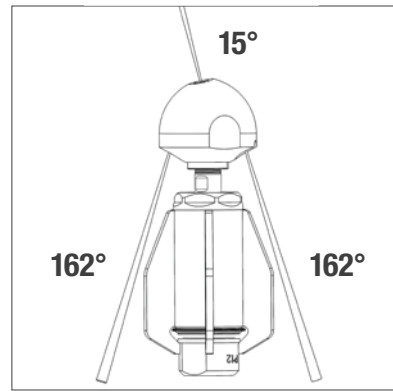
WHP-3/4-PKG

PIPE SIZE: 6-18" LINES (152-457 MM)
INLET: 1/2 3/4" NPT OR BSPP, 3/4" NPT OR BSPP

BENEFITS:

- Handles longer hoses and steeper inclines
- Streamlined fin design reduces hangups and enhances pulling power
- Controlled rotation allows jets to penetrate deeper through deposits to clean and clear pipes
- Plug front jet for 40% more thrust

JET ANGLES



MODEL/ INLET	PRESSURE RANGE		FLOW RANGE		HEAD	NOZZLE PORTS	JET TYPE	PORT PLUG	WEIGHTS		DIAMETER X LENGTH	
	PSI	BAR	GPM	LPM					LB	KG	IN.	MM
WHP-3/4	1200-8K	83-552	15-50	57-189	WHP 040-R5	3 X 1/8 NPT	AP2	GP 025-P2SS	4.7	2.1	3.4 X 7.5	86 X 191