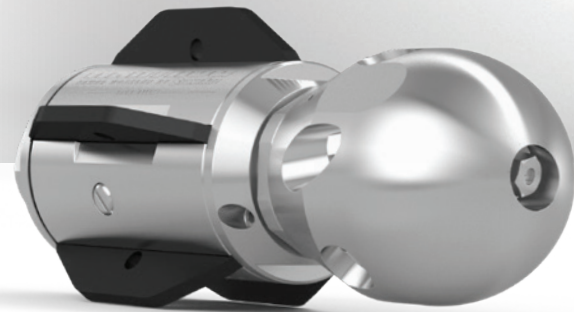
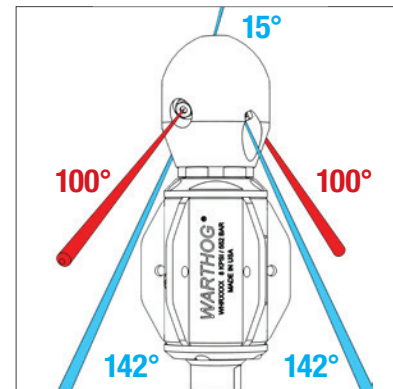


Individually replaceable centralizer fins made from hardened steel

Two sets of jets allow the tool to switch between pulling or cleaning without leaving the pipe



### JET ANGLES



Pulling/Flushing Mode  
Cleaning Mode

## WHR-1/2 & WHR-3/4 SWITCHER

**PIPE SIZE:** 6-18" (152-457 MM)

**INLET:** 1/2" NPT OR BSPP, 3/4" NPT OR BSPP

### BENEFITS:

- Two tools in one - both puller and descaler
- Saves time and water
- Switch jet patterns without ever leaving the pipe
- Customized jetting for each mode of operation

MODEL/INLET	PRESSURE RANGE		FLOW RANGE		HEAD	NOZZLE PORTS	JET TYPE	PORT PLUG	WEIGHTS		DIAMETER X LENGTH	
	PSI	BAR	GPM	LPM					LB	KG	IN.	MM
<b>NEW</b> WHR-1/2-SWT	1200-8K	83-552	14-45	53-170	WHR-040-R38-SWT	5 X 1/8 NPT	CNP2	GP 025-P2SS	7.35	3.3	3.6 X 8.25	92 X 210
WHR-3/4-SWT	1200-8K	83-552	30-45	114-170	WHR 040-R18-SWT	7 X 1/8 NPT	CNP2	GP 025-P2SS	7.35	3.3	3.6 X 8.25	92 X 210
			20-40	76-151	WHR 040-R28-SWT							