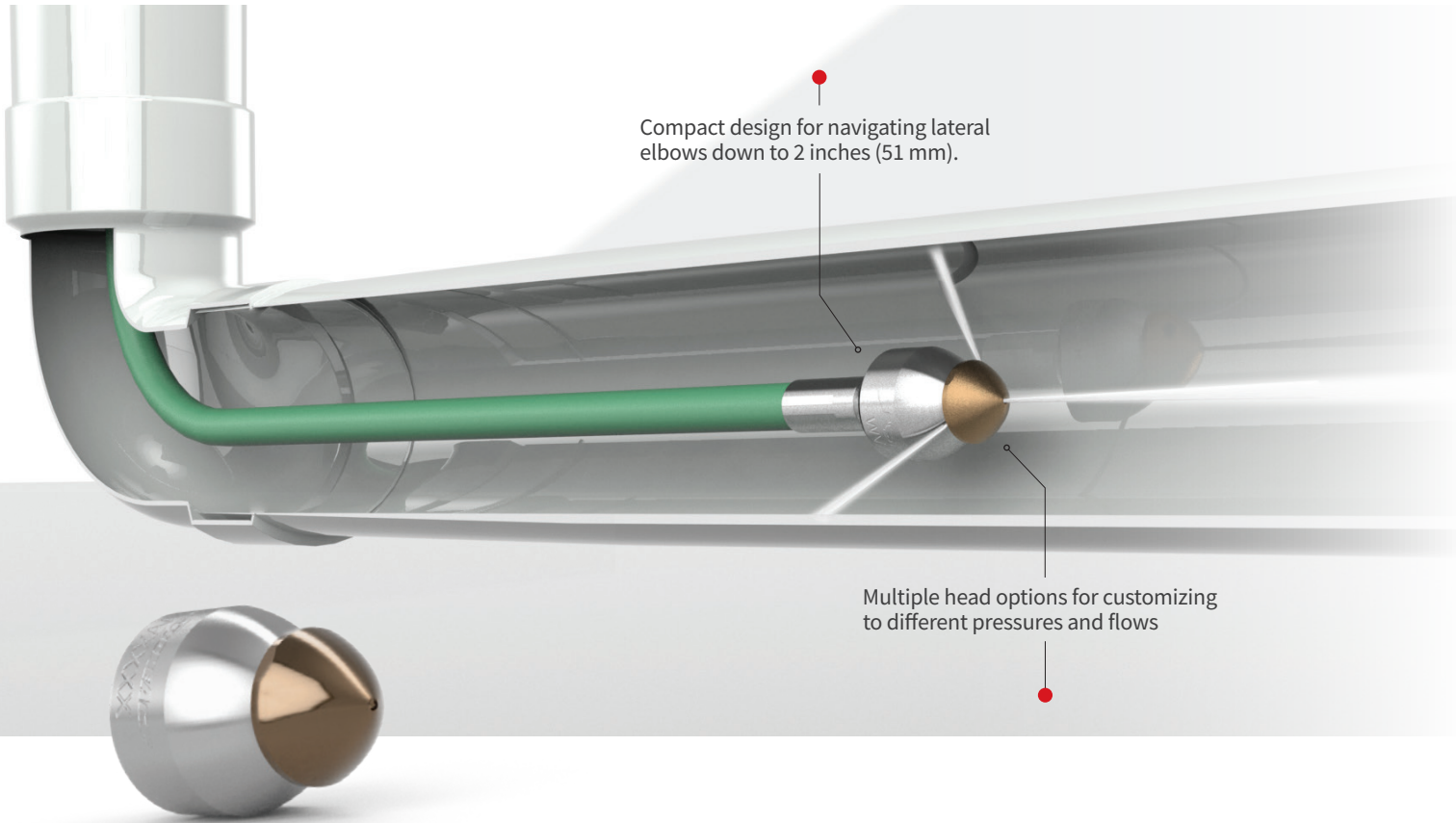




2-4" LINES



WV-1/4-LK

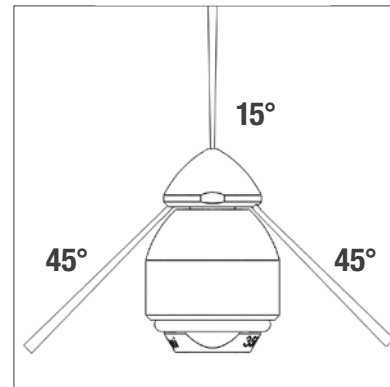
PIPE SIZE: 2-4" LINES (51-102 MM)

INLET: 1/4" NPT OR BSPP

BENEFITS:

- Rotational speed controlled by pressure and flow
- Excellent for navigating elbows
- Clears grease, fat, ice and fine roots
- Virtually no maintenance

JET ANGLES



MODEL/INLET CONNECTION	PRESSURE RANGE		FLOW RANGE		TOOL MODELS	DRILLED FRONT JET		DRILLED REAR JETS		WEIGHT		DIAMETER x LENGTH	
	PSI	BAR	GPM	LPM		IN.	MM	IN.	MM	LB	KG	IN.	MM
WV-1/4-LK OR BSPP	1200-5K	83-345	7-8	26-30	WV-1/4-LK-A	0.024	0.6	2 X .052	1.3	.45	.20	1.3 X 2.0	33 X 51
			5-6	19-23	WV-1/4-LK-B	0.020	0.5	2 X .039	1.0				
			4-4.5	15-17	WV-1/4-LK-C	0.018	0.4	2 X .032	0.8				
			3-3.5	11-13	WV-1/4-LK-D	0.018	0.4	2 X .028	0.7				