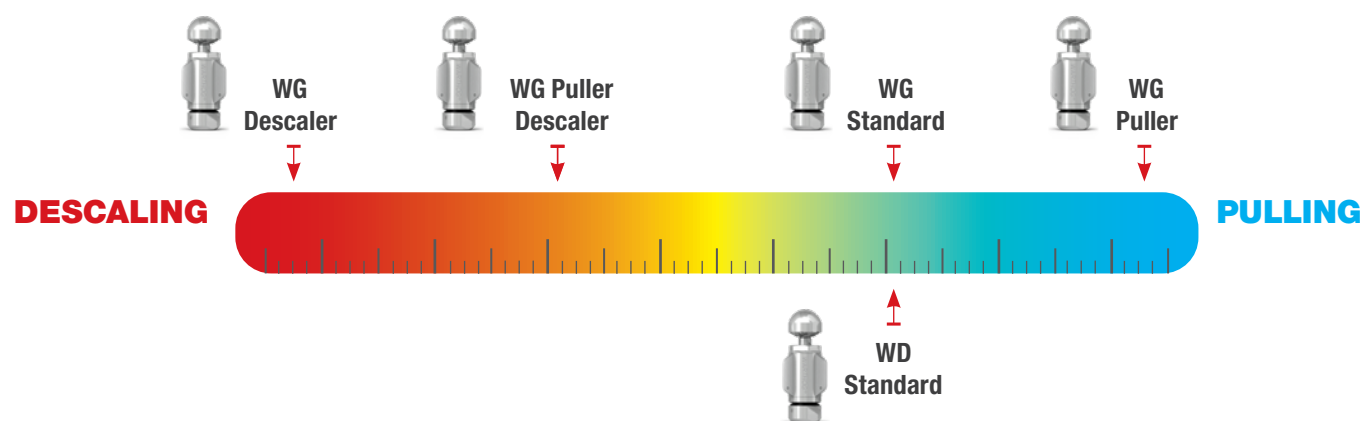
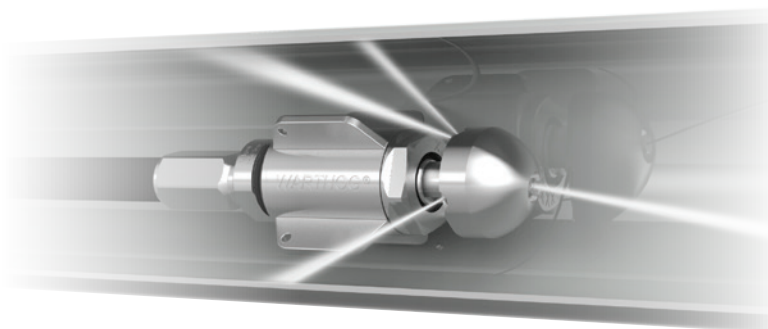


WG & WD CLASSIC

PIPE SIZE: 8-36" (203-914 MM)
INLET: 1" AND 1-1/4" NPT OR BSPP

- The industry's work-horse nozzle since 1990
- Controlled rotation allows jets to penetrate deeper through deposits to clean and clear pipes



WG HEAD OPTIONS

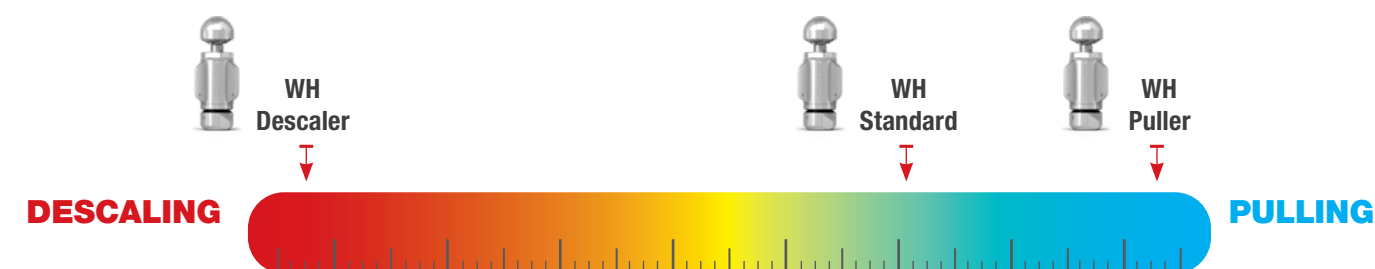
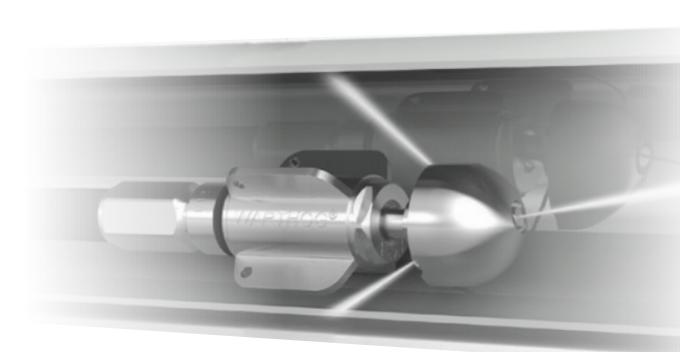
HEAD OPTION	INLET	FLOW RANGE		PRESSURE		MODEL
		GPM	LPM	PSI	BAR	
STANDARD	1" NPT OR BSPP	50-80	189-303	1200-5K	83-345	WG-1
DESCALER	1" NPT OR BSPP	50-80	189-303	1200-5K	83-345	WGDS-1
PULLER	1" NPT OR BSPP	50-80	189-303	1200-5K	83-345	WGP-1
PULLER DESCALER	1" NPT OR BSPP	50-80	189-303	1200-5K	83-345	WGPDS-1

WD HEAD OPTIONS

HEAD OPTION	INLET	FLOW RANGE		PRESSURE		MODEL
		GPM	LPM	PSI	BAR	
STANDARD	1 1/4" NPT OR BSPP	80-120	303-454	1200-5K	83-345	WD-1-1/4

WH CLASSIC

PIPE SIZE: 6-18" (152-457 MM)
INLET: 1/2" AND 3/4" NPT OR BSPP



WH HEAD OPTIONS

HEAD OPTION	INLET	FLOW RANGE		PRESSURE		MODEL
		GPM	LPM	PSI	BAR	
STANDARD	1/2" NPT OR BSPP	10-20	38-76	1200-8K	83-552	WH-1/2
	3/4" NPT OR BSPP	10-50	38-189	1200-8K	83-552	WH-3/4
DESCALER	1/2" NPT OR BSPP	10-14	38-53	1200-8K	83-552	WH-1/2-DS
	3/4" NPT OR BSPP	10-50	38-189	1200-8K	83-552	WH-3/4-DS
PULLER	3/4" NPT OR BSPP	15-50	57-189	1200-8K	83-552	WHP-3/4