

OPERATING WATERBLASTING EQUIPMENT CAN BE POTENTIALLY HAZARDOUS.
SEE PAGE 121 FOR IMPORTANT SAFETY INFORMATION

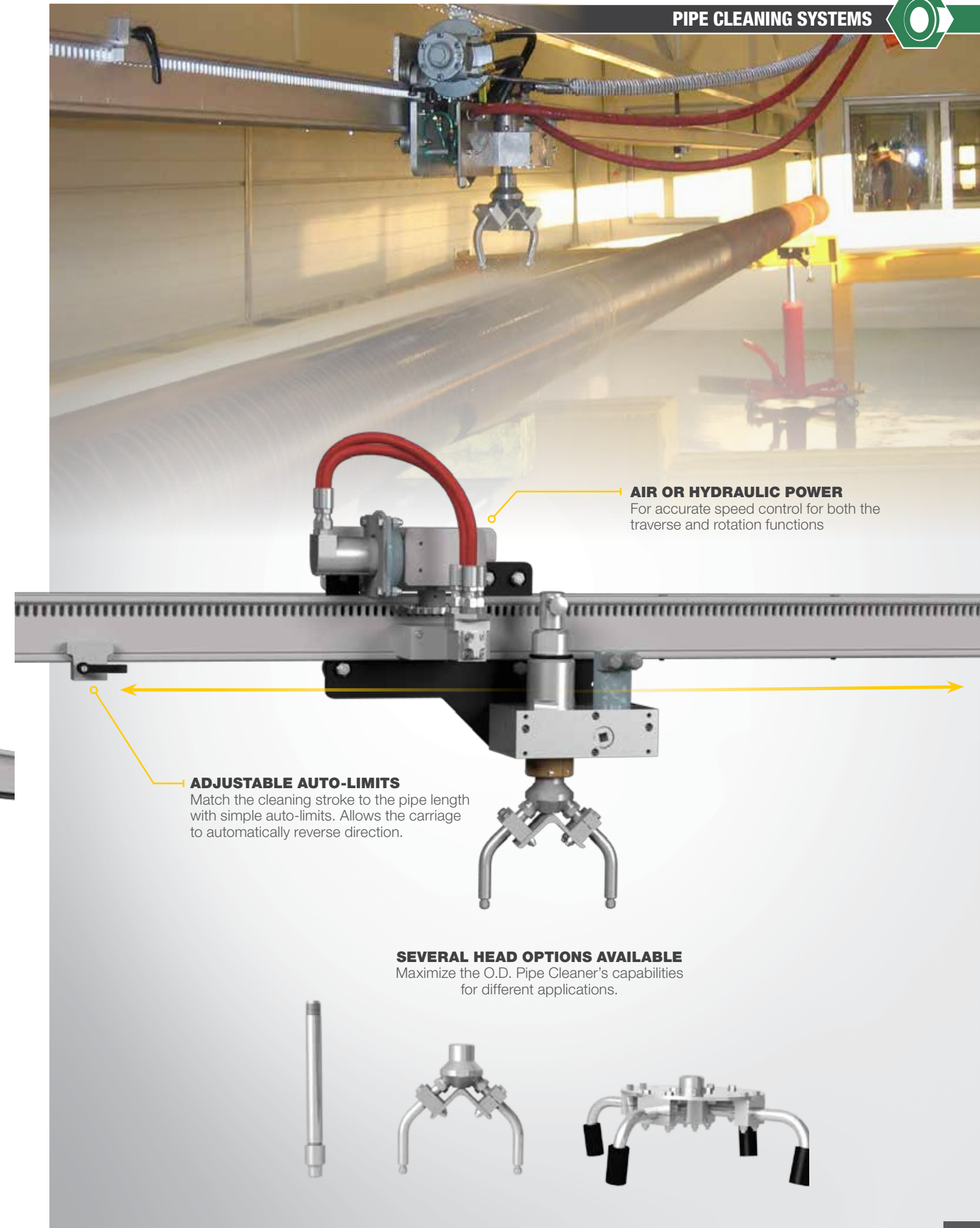
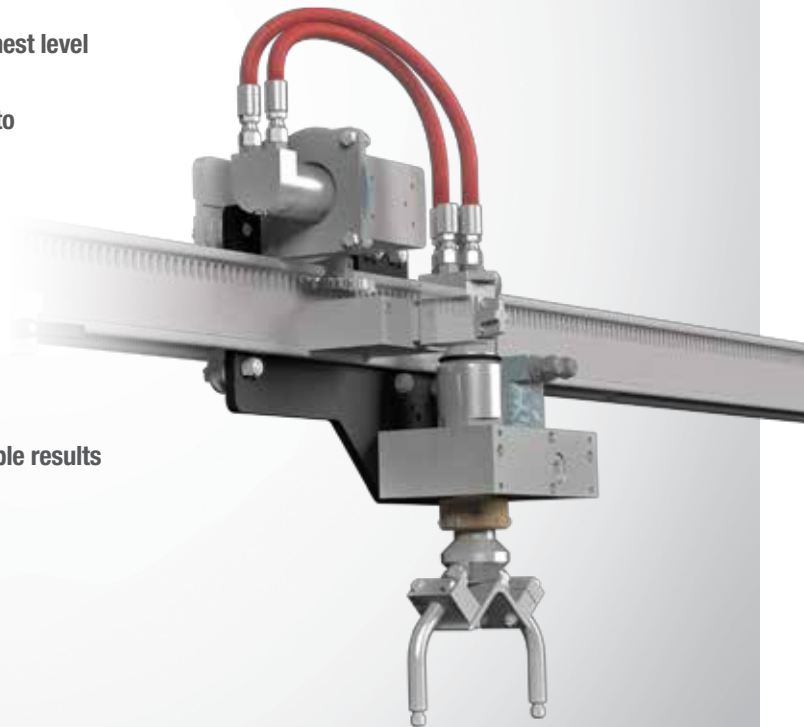
PIPE CLEANING

OUTSIDE DIAMETER PIPE CLEANER

The StoneAge O.D. Pipe Cleaner is a powerful and affordable automated solution for cleaning the outer surface of drill pipes used in the oil and gas industry. The length of the system can be easily customized for permanent installation into pipe cleaning facilities providing consistent and efficient removal of drill mud, concrete, slag, or other exterior deposits on large volumes of pipe.

FEATURES:

- Can be adapted to a variety of pressures and flows for highest level of cleaning efficiency
- Rotation and traverse speed are independently adjustable to customize dwell time
- Several head options available for delivering more concentrated power or covering a wider cleaning path
- Match the stroke length to the pipe sections being cleaned with simple auto-limits for efficient cleaning with no wasted time
- Modular rail allows the assembly to be customized to any length
- Fully automated operation delivers consistent and repeatable results when cleaning thousands of linear feet of pipe lengths



AIR OR HYDRAULIC POWER
For accurate speed control for both the traverse and rotation functions

ADJUSTABLE AUTO-LIMITS
Match the cleaning stroke to the pipe length with simple auto-limits. Allows the carriage to automatically reverse direction.

SEVERAL HEAD OPTIONS AVAILABLE
Maximize the O.D. Pipe Cleaner's capabilities for different applications.



Tool Model	Pressure Range	Flow Range	Rotation Speed	Linear Speed	Air Supply	Rail Length
O.D. PIPE CLEANER	Up to 40k psi 2800 bar	Up to 50 gpm 190 l/min	50-1000 rpm	7-40 ft/min 2.1-12 m/min	60 cfm @ 80 psi 100 m/hr @ 5.5 bar	Up to 60 ft 18.3 m