

OPERATING WATERBLASTING EQUIPMENT CAN BE POTENTIALLY HAZARDOUS.
SEE PAGE 121 FOR IMPORTANT SAFETY INFORMATION

“This StoneAge Boiler Tube Cleaner is one of the best automated hydroblast tools ever made. We can perform the cleaning without vessel entry, and without touching a high pressure hose. What a great way to clean a boiler.”

MARK BLANCHARD
WATERWORKS INDUSTRIAL

FURNACE & BOILER CLEANING

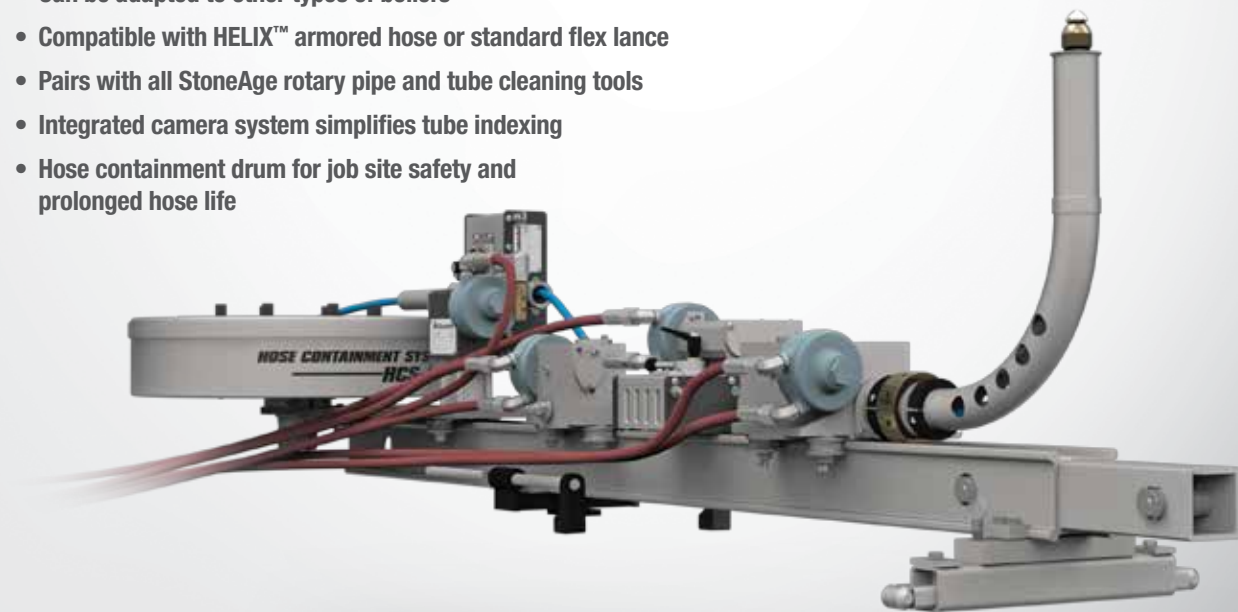
BOILER TUBE CLEANER

The StoneAge BTC-200 Boiler Tube Cleaner cleans radial tubes found in the mud and steam drums of package boilers. It fits through a standard manway and cleans boiler tubes without the need for an operator to enter the vessel.

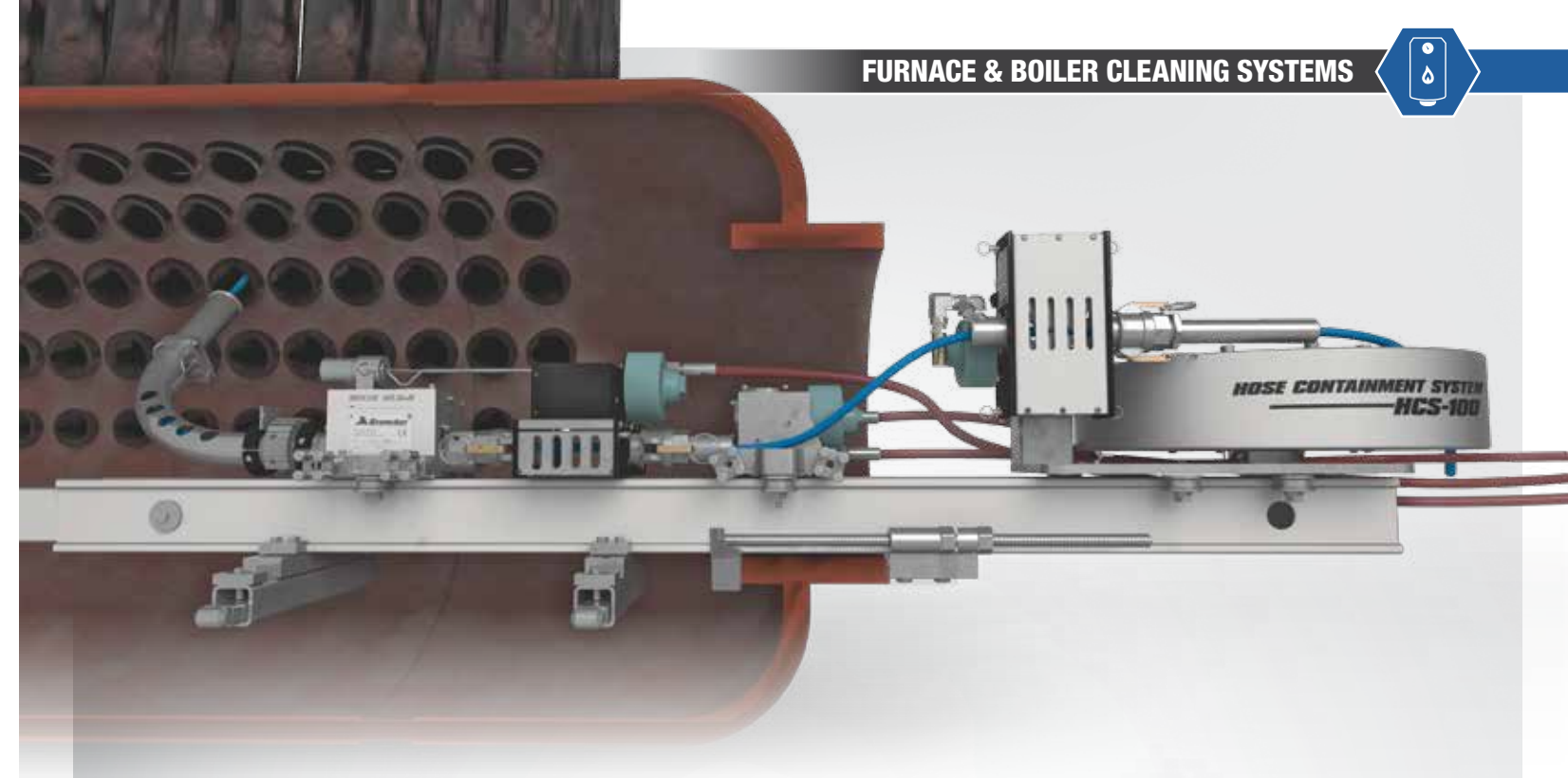
ABX-PRO Drive Technology delivers up to 50 lbs (23 kg) of push to clear plugged tubes and help the hose travel long distances through multiple bends.

FEATURES:

- Eliminates confined space entry
- Can be adapted to other types of boilers
- Compatible with HELIX™ armored hose or standard flex lance
- Pairs with all StoneAge rotary pipe and tube cleaning tools
- Integrated camera system simplifies tube indexing
- Hose containment drum for job site safety and prolonged hose life



Tool Model	Max Pressure	Flow Range	Hose I.D.	Feed Rate	Max Hose Length	Max Tube Length
BTC-200	20k psi 1400 bar	5–12 gpm 19–45l/min	5–6mm	9–50 ft/min 2.7–15.2 m/min	75 ft 22 m	50 ft 15 m



HOSE CONTAINMENT DRUM
For safe management and storage of high-pressure hose



RUGGED CAMERA SYSTEM
Facilitates quick indexing of boiler tubes



PRECISE, CONTROLLED HOSE FEED
Allows cleaning through multiple tube bends while protecting hose from damage