



OPERATING WATERBLASTING EQUIPMENT CAN BE POTENTIALLY HAZARDOUS. SEE PAGE 121 FOR IMPORTANT SAFETY INFORMATION

CURVED PIPE CLEANING

4" BADGER®

Rotary Cleaning for Medium Pipes with Elbows

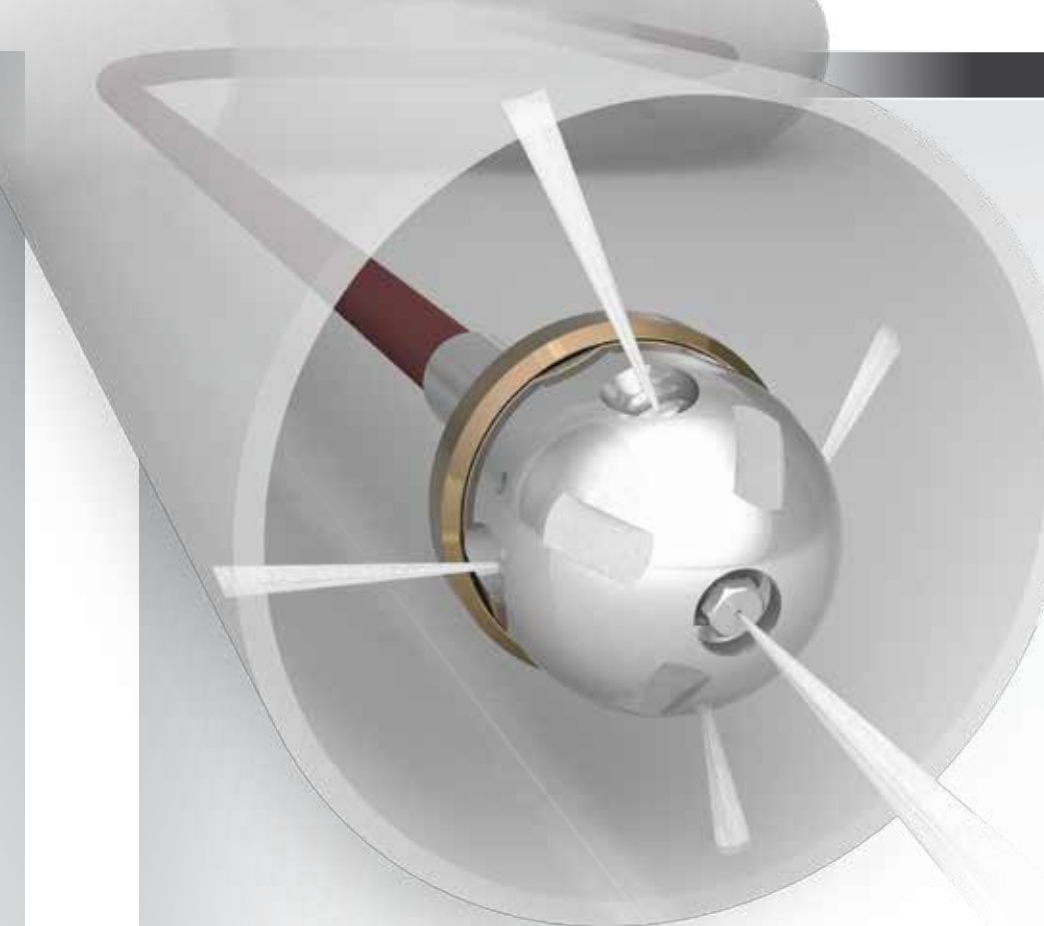
The 4" Badger self-rotary tool makes cleaning pipes with elbows easy, navigating 4 in. (102 mm) bends with controlled rotation which is important for efficiently cleaning larger pipes. The operator can choose between two rotation speeds by selecting fast or slow viscous fluid.

FEATURES:

- Different jetting configurations allow for increased or decreased pull and forward hitting power
- Navigates elbows as small as 4 in. (102 mm)
- Self-rotary, speed control provides complete internal coverage, while speed control provides optimum jet delivery
- Two speeds to choose from to maximize cleaning. Choose slower speeds for hard to clean or plugged pipes, and faster speeds for polishing easy to clean pipes with a single tool
- Multiple jetting options optimize the tool for a variety of pumps pressures and flows. Unplug, polish, or run longer lines based on jetting
- Designed to pair with the AutoBox ABX-500 hose handling system for hands-free pipe cleaning



Tool Model	Pressure Range	Flow Range	Inlet Connection	Rotation Speed	Weight
BA-P6, BA-BSPP6	2–15k psi 140–1000 bar	13–30 gpm 49–110 l/min	3/8 NPT, 3/8 BSPP	20–100 rpm (Slow Fluid) 75–250 rpm (Fast Fluid)	3.0 lbs 1.4 kg
BA-TM12	12–22k psi 830–1500 bar	12–25 gpm 45–95 l/min	3/4 Type M Male	20–100 rpm (Slow Fluid) 75–250 rpm (Fast Fluid)	3.0 lbs 1.4 kg
BA-H6	43.5k psi 3000 bar	4.5–12 gpm 17–45.5 l/min	3/8 HP Female	100–400 rpm	4.0 lbs 1.8 kg

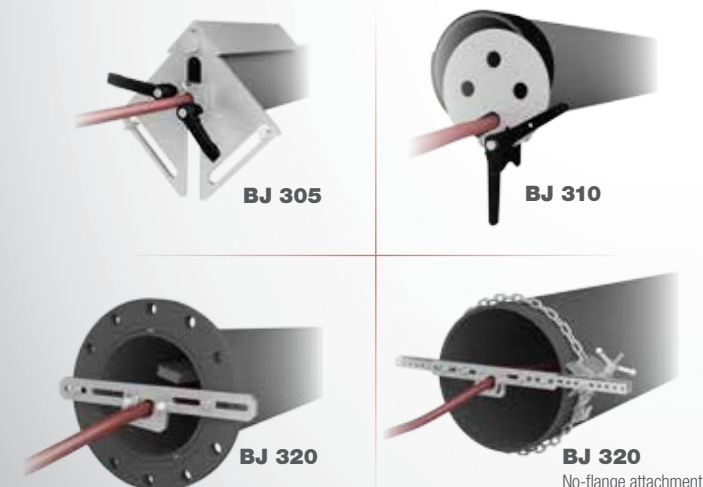


40K

CURVED PIPE CLEANING TOOL

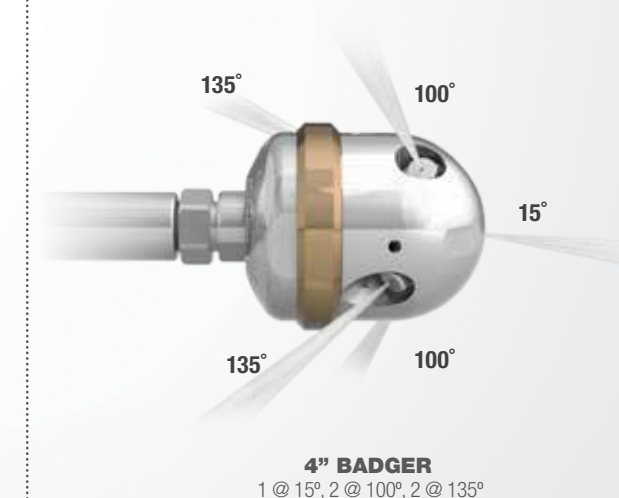
BACKOUT PREVENTERS

Increase safety by keeping the tool from backing out of the pipe. Several options are available including fixtures for small diameter pipes, pipes with various flange bolt circle diameters, and adapters for pipes with no-flange entry.



NOZZLES AND PLUGS

The 4" Badger can be jetted in different configurations depending on the application. The image below shows the standard nozzle/plug configuration for the 4" Badger tool.



MAINTENANCE RESOURCES

Tool	Rotation Speed	Seal Kit	Service Kit	Overhaul Kit	Disk Kit	Tool Kit	Lubricant	Manual
BA-P6/ BA-BSPP6	Slow	BA 602	BA 600-S	BA 610-S	BA 604	BA 612	BJ 048-S	PL 501
	Fast	BA 602	BA 600-F	BA 610-F	BA 604	BA 612	BJ 048-F	PL 501
BA-TM12	Slow	BA 602-TM12	BA 600-TM12-S	BA 610-TM12-S	BA 604	BA 612	BJ 048-S	PL 501
	Fast	BA 602-TM12	BA 600-TM12-F	BA 610-TM12-S	BA 604	BA 612	BJ 048-F	PL 501