

OPERATING WATERBLASTING EQUIPMENT CAN BE POTENTIALLY HAZARDOUS.
SEE PAGE 121 FOR IMPORTANT SAFETY INFORMATION

STRAIGHT PIPE CLEANING

GOPHER™

Speed Controlled Rotary Cleaning for Tubes 2–6 Inches (51–152 mm) in Diameter

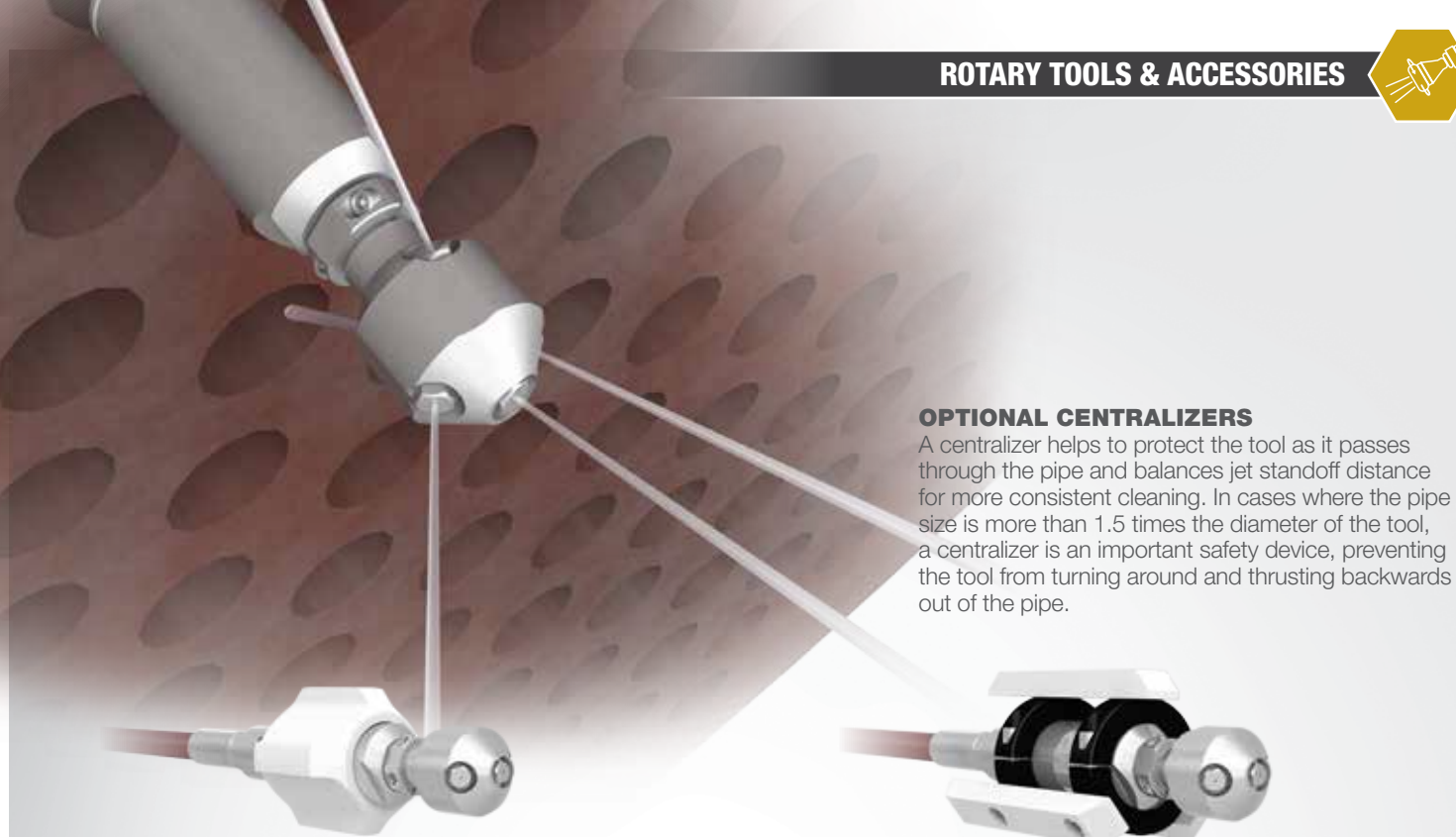
The Gopher self-rotary tool is ideal for cleaning evaporator tubes and a variety of process lines. It is ideal for cutting through coke, polymers, coatings and latex. The Gopher is offered in two pressure ranges up to 40,000 psi (2800 bar).

FEATURES:

- Self-rotary, speed control provides complete internal coverage while speed control provides optimum jet delivery
- Two head options available: 7 port unplugging option for maximum forward hitting power and a 6 port polishing head for IRIS inspection polishing
- Multiple jetting configurations means the same tool can be re-jetted to match a wide variety of cleaning applications—great for when you need more pulling force or forward hitting power



Tool Model	Pressure Range	Flow Range	Inlet Connection	Rotation Speed	Weight	Max Operating Temperature
GO-MP9	2–22k psi 140–1500 bar	18–25 gpm 30–95 l/min	9/16 MP	600–1000 rpm	3.0 lb 1.36 kg	160 °F 70 °C
GO-H9-C	22k–40k psi 1500–2800 bar	4–10 gpm 15–40 l/min	9/16 HP	600–1000 rpm	3.3 lb 1.5 kg	160 °F 70 °C



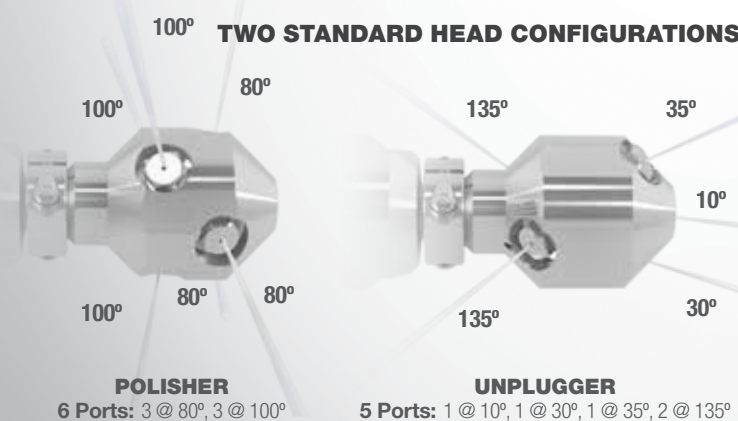
OPTIONAL CENTRALIZERS

A centralizer helps to protect the tool as it passes through the pipe and balances jet standoff distance for more consistent cleaning. In cases where the pipe size is more than 1.5 times the diameter of the tool, a centralizer is an important safety device, preventing the tool from turning around and thrusting backwards out of the pipe.

Pipe Size	Centralizer (Complete)	Weight
3 in. 76 mm	GO 075-3	0.3 lb 0.1 kg
4.5 in. 114 mm	GO 075-4.5	0.4 lb 0.2 kg

Pipe Size	Centralizer (Complete)	Weight	Collar*	Skid**
4 in. 100 mm	GO 070-4	1.4 lb 0.6 kg	GO 070.1	RJ 070.2-4
5 in. 127 mm	GO 070-5	1.6 lb 0.7 kg	GO 070.1	RJ 070.2-5
6 in. 152 mm	GO 070-6	1.9 lb 0.9 kg	GO 070.1	RJ 070.2-6
8 in. 203 mm	GO 070-8	2.2 lb 1.0 kg	GO 070.1	RJ 070.2-8
12 in. 305 mm	GO 070-12	4.0 lb 1.8 kg	GO 070.1	RJ 070.2-12

*Set of 2 collars **Set of 3 skids with 6 screws



GOPHER HEAD SELECTION

MODEL	GO-MP9	GO-H9-C
Polisher LF	7-14 gpm (27-53 l/min)	4-7 gpm (20-27 l/min)
Model	GO 042-R.14	GO 342-R.14
Polisher HF	14-25 gpm (53-95 l/min)	7-12 gpm (27-45 l/min)
Model	GO 042-R.07	GO 342-R.08
Unplugging LF	8-15 gpm (30-57 l/min)	4-7 gpm (20-27 l/min)
Model	GO 043-R.17	GO 343-R.18
Unplugging HF	15-25 gpm (57-95 l/min)	7-12 gpm (27-45 l/min)
Model	GO 043-R.08	GO 343-R.08

MAINTENANCE RESOURCES

Swivel	Service Kit	Seal Kit	Overhaul Kit	Tool Kit	Lubricant	Manual
GO-MP9	GO 600	GO 602	GO 610	GO 612	GP 044	PL 511
GO-H9-C	GO 600-H9-C	BC 602-H9-C	GO 610-H9-C	GO 612	GP 044	PL 510