

# BANSHEE TUBE CLEANING NOZZLES

The patented Banshee is the industry standard for exchanger cleaning. Each tool is easily configured to suit any tube cleaning application by choosing from a variety of replaceable heads and inlet options.

- ✓ Ideal for unplugging, cleaning and polishing tubes, such as those found in heat exchangers and industrial tube bundles
- ✓ Effectively removes thin, hard scale, carbons, coke and polymers
- ✓ Banshee Beetle models are designed to work around tight radiused bends



## 22K PSI (1500 BAR)



**BN33** 1.5-2.4 in. I.D. Tubes (38-60 mm)



**BN27-40K** 1.25-2.0 in. I.D. Tubes (32-51 mm)



**BN24** 1.1-1.8 in. I.D. Tubes (28-46 mm)



**BN18-44K** 0.87-1.3 in. I.D. Tubes (22-33 mm)



**BN18** 0.87-1.3 in. I.D. Tubes (22-33 mm)



**BN15** 0.75-1.2 in. I.D. Tubes (19-30 mm)



**BN13-44K** 0.60-1.0 in. I.D. Tubes (15-25 mm)



**BN13** 0.60-1.0 in. I.D. Tubes (15-25 mm)



**BN9.5** 0.47-0.63 in. I.D. Tubes (12-16 mm)

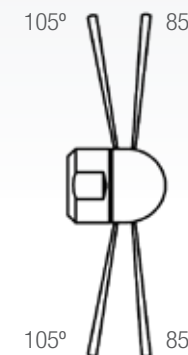
## BANSHEE ROTARY TUBE CLEANING TOOLS

The Stoneage Banshee has only four parts. Each part can be replaced individually to maximize the life of your tool.



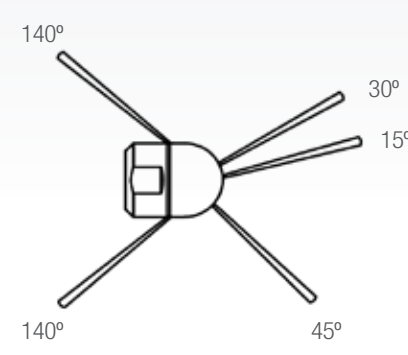
## BANSHEE SPECIFICATIONS 22K PSI (1500 BAR)

	TUBE I.D. RANGE	MAX. PRESSURE	MAX. PRESSURE (BSPP INLET)	FLOW RANGE	INLET CONNECTIONS	DIAMETER	LENGTH
BN9.5	0.47-0.63 in. 12-16 mm	22k psi 1500 bar	N/A	4.5-8 gpm 17-30 l/min	M7, 1/16" NPT, 1/4" LH or 1/4" RH	0.37 in. 9.5 mm	2.6 in. 65 mm
BN13	0.60-1.0 in. 15-25 mm	22k psi 1500 bar	18k psi 1250 bar	7-10 gpm 27-38 l/min	1/8" NPT, 1/8" BSPP, 1/4" LH, 1/4" RH, 3/8" LH or 3/8" RH	0.50 in. 13 mm	2.9 in. 74 mm
BN15	0.75-1.2 in. 19-30 mm	22k psi 1500 bar	18k psi 1250 bar	8-10 gpm 30-38 l/min	1/8" NPT, 1/8" BSPP, 3/8" LH/RH	0.6 in. 15 mm	3.0 in. 76 mm
BN18	0.87-1.3 in. 22-33 mm	22k psi 1500 bar	20k psi 1400 bar	8-14 gpm 30-53 l/min	1/4" NPT, 1/4" BSPP, 9/16" LH or 9/16" RH	0.69 in. 18 mm	3.8 in. 97 mm
BN24	1.1-2 in. 28-51 mm	22k psi 1500 bar	22k psi 1500 bar	12-25 gpm 45-95 l/min	3/8" NPT, 3/8" BSPP, 9/16" LH or 9/16" RH	0.93 in. 24 mm	5.1 in. 130 mm
BN33	1.5-2.4 in. 38-60 mm	22k psi 1500 bar	15k psi 1000 bar	12-49 gpm 45-190 l/min	1/2" NPT, 1/2" BSPP, or 9/16" MP	1.3 in. 33 mm	6.9 in. 180 mm
BT12	0.60-1.0 in. 15-25 mm	22k psi 1500 bar	N/A	Up to 8.5 gpm 32 l/min	P1, M7, MPL4, MPR4	0.50 in. 13 mm	1.3 in. 33 mm
BT18	0.87-1.3 in. 22-33 mm	22k psi 1500 bar	18k psi 1250 bar	Up to 11 gpm 42 l/min	P1, P2, BSPP2, MPL6, MPR6, MPL4, MPR4	0.69 in. 18 mm	1.5 in. 39 mm
BT25	1.2-3.0 in. 30-76 mm	8-22k psi 550-1500 bar	N/A	8-20 gpm 30-76 l/min	1/8" NPT, 1/4" NPT, 1/4" BSPP, 3/8"-28 LH/RH, 9/16"-18 LH/RH	1.0 in. 26 mm	1.9 in. 48 mm



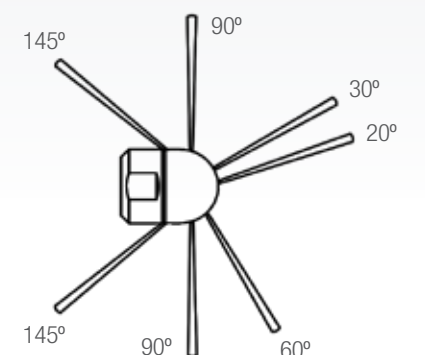
### POLISHER

4 Ports: 2 @ 85°, 2 @ 105°



### UNPLUGGER

5 Ports: 1 @ 15°, 1 @ 30°  
1 @ 45°, 2 @ 145°



### UNIVERSAL

7 Ports: 1 @ 20°, 1 @ 30°  
1 @ 60°, 2 @ 90°, 2 @ 145°

**OPERATING WATERBLASTING EQUIPMENT CAN BE POTENTIALLY HAZARDOUS.**



See page 9.10 for important safety information