

SURFACE CLEANING

The Striker family of automated surface cleaning systems has been engineered to replace the difficult and dangerous practice of manual shotgunning.

These hands-free systems allow the operator precise control of the equipment from safely outside the blast zone. The advantages of automation include uninterrupted run time at greater thrust and more productive cleaning rates.

LIGHTWEIGHT STRIKER SKRL-100

BEST FOR: IN SITU CLEANING IN HARD TO ACCESS LOCATIONS

The Lightweight Striker is designed for automated shotgunning in hard to access locations. The system can be quickly disassembled into modular components that fit through standard manway openings and meet plant requirements for single man lift.

MODEL	SKRL-100
PRESSURE RANGE	Up to 20k psi (1380 bar)
JET REACTION RANGE	up to 50 lbs (23 kg)
TOTAL WEIGHT	140 lbs (64 kg)
CONTROL BOX	Tethered
CLEANING WINDOW DIMENSIONS	47 in. H x 68 in. W x 40 in. D 1194 mm x 1727 mm x 1016 mm

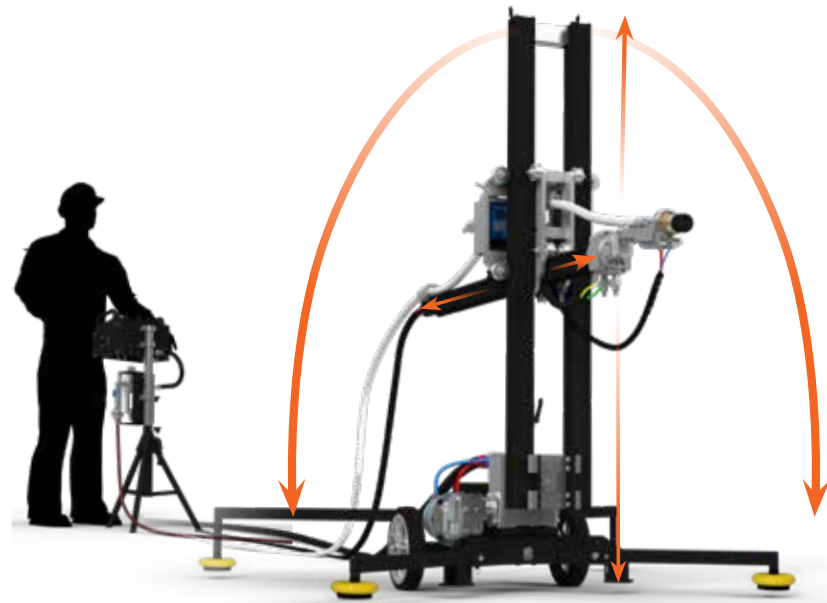


- ✓ Modular system designed for portability
- ✓ Can be fully assembled in less than five minutes
- ✓ Fits through 21 in. (534 mm) manway
- ✓ Custom 10k and 20k nozzles - engineered to ensure safe operation while delivering maximum thrust
- ✓ Affordable alternative to complicated robotic system



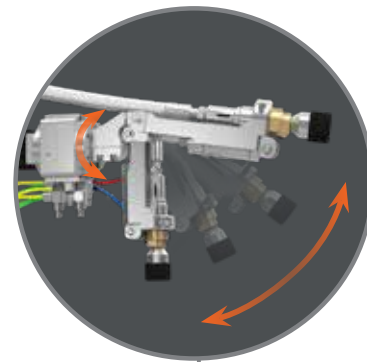
CUSTOM 10K AND 20K NOZZLES

Engineered to ensure safe operation while delivering maximum thrust.



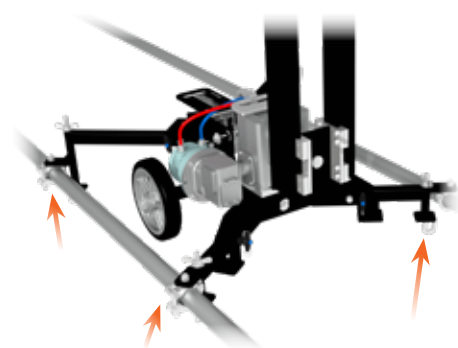
3-D CLEANING CAPABILITY

60 in. H x 84 in. W x 54 in. D
(1525 mm x 2134 mm x 1372 mm)



FULL WRIST ARTICULATION

Flex 80 degrees and rotate up to 270 degrees.



OPTIONAL SCAFFOLD & J-HOOK MOUNTS

Can be mounted to scaffolding or grating.



CONTROL BOX

Allows safe, remote operation of high pressure waterblast equipment.



MODULAR SYSTEM

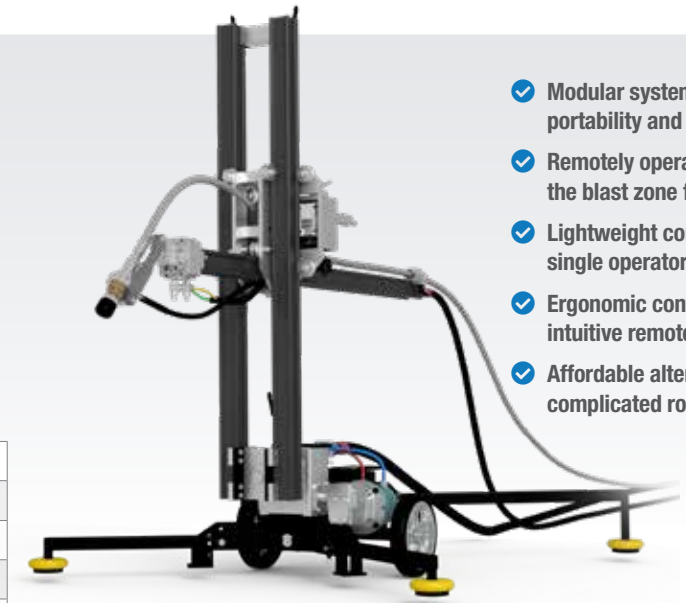
Designed for portability and easy assembly.

STANDARD STRIKER SKR-STD

BEST FOR: IN SITU/PAD CLEANING THAT REQUIRES HIGHER PSI

The Standard Striker is the perfect entry point for contractors who want to add a remote shotgun system to their fleet. The system offers a unique combination of portability and higher thrust capacity for maximum flexibility on the job site.

MODEL	SKR-STD
PRESSURE RANGE	Up to 40k psi (2800 bar)
JET REACTION RANGE	Up to 70 lbs (32 kg)
TOTAL WEIGHT	260 lbs (118 kg)
CONTROL BOX	Tethered
CLEANING WINDOW DIMENSIONS	60 in. H x 84 in. W x 54 in. D 1525 mm x 2134 mm x 1372 mm



- ✓ Modular system designed for portability and easy assembly
- ✓ Remotely operated from outside the blast zone for safety
- ✓ Lightweight components for single operator setup and use
- ✓ Ergonomic control box offers intuitive remote operation
- ✓ Affordable alternative to complicated robotic systems