

POSITIONING BOOMS

Large tanks and vessels can be among the most difficult cleaning challenges due to their size, limited access and internal geometries. StoneAge offers several positioning booms that pair with our 3D tools to clean tanks without requiring operator entry.

The use of a positioning boom allows you to safely place the tool closer to the surface to be cleaned and away from obstructions for optimal results.

SIMPLE BOOMS

Positioners provide up to 19 ft (5.8 m) of reach for the Torus 3-D tank cleaner in addition to tilt and rotation adjustments. Intended for vertical or near vertical applications.

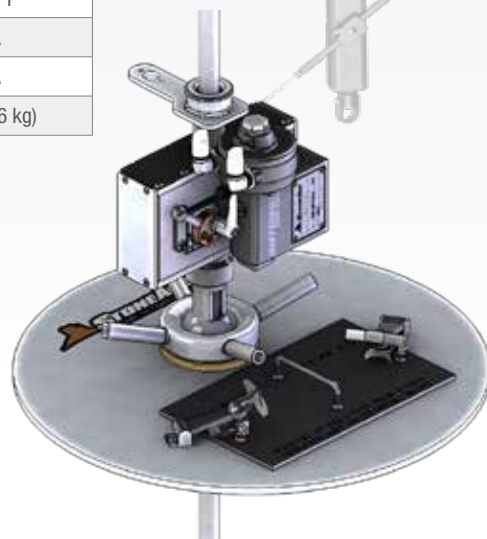
- ✔ Easily adjustable extension/retraction lengths means the cleaning nozzle can be extended or retracted to a variety of insertion depths for better cleaning coverage
- ✔ 24 in. (610 mm) aluminum mounting plate secures to the vessel during cleaning operation, increasing operator safety
- ✔ Inspection hatch allows for line of sight placement of cleaning head to check cleaning progress
- ✔ Portable and easy setup; no special tools required to position head

SIMPLE BOOM SPECIFICATIONS

	SB-H	SB-P16
MAX. PRESSURE	N/A	10k psi (700 bar)
MAX. FLOW	50 gpm (190 l/min)	150 gpm (570 l/min)
INLET CONNECTIONS	1/2" NPT or 1-12 "M"	1" NPT
MAX. HOSE I.D.	0.5 in. (13 mm)	N/A
MAX. END FITTING	1.5 in. (38 mm)	N/A
WEIGHT	80 lb (36 kg)	80 lb (36 kg)



TORUS sold separately



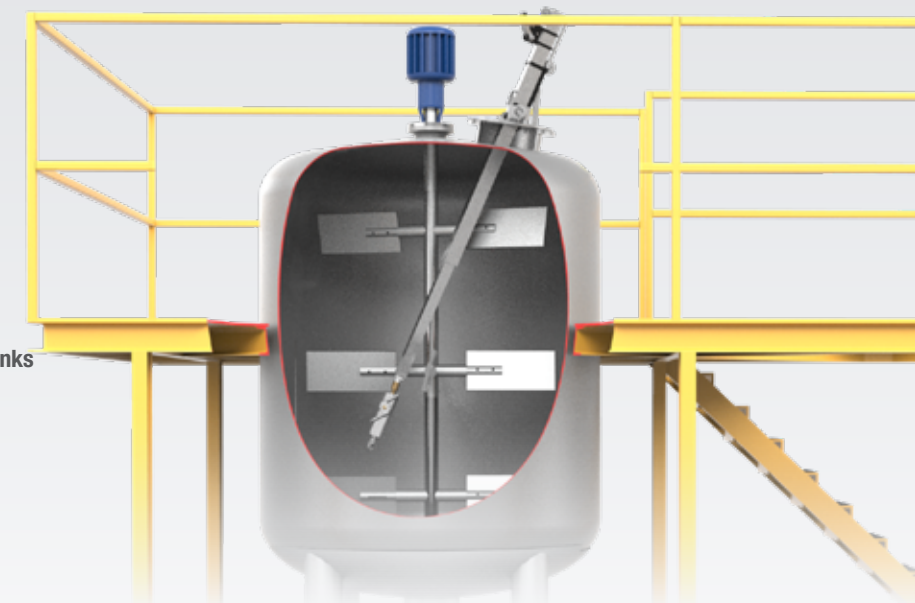
HANDS-FREE OPTION

Add a Pro-Drive tractor to the simple boom to automate the hose feed for increased safety.

TELEBOOM

The TeleBoom is designed to hold and position most types of waterblast cleaning nozzles. It is particularly useful for placing rotary nozzle heads inside tanks and vessels. It is intended only for vertical or near vertical applications.

- ✔ Lightweight and compact for portability
- ✔ Three positioning functions: Telescope, Angle and Rotate
- ✔ All of the functions are driven by hand operated wheel cranks
- ✔ Attaches to various size manway openings by means of custom made adapter plates



TELEBOOM SPECIFICATIONS

MODEL	TB-6-TR	TB-8-TR	TB-10-TR
MAX. PRESSURE	22k psi 1500 bar	22k psi 1500 bar	22k psi 1500 bar
MAX. FLOW	100 gpm 380 l/min	100 gpm 380 l/min	100 gpm 380 l/min
INLET CONNECTIONS	3/4" NPT, 3/4" MP or M24	3/4" NPT, 3/4" MP or M24	3/4" NPT, 3/4" MP or M24
MAX. HOSE I.D.	3/4 in. 19 mm	3/4 in. 19 mm	3/4 in. 19 mm
COLLAPSED LENGTH	6.5 ft 2.0 m	8.5 ft 2.6 m	10.5 ft 3.2 m
MAX. REACH	13 ft 4.0 m	19 ft 5.8 m	25 ft 7.6 m
WEIGHT	120 lb 55 kg	130 lb 59 kg	140 lb 63 kg

EXTENSION BOOM

This Extension Boom allows the operator to raise and lower a 3D tool at different speed rates. The EB-100 boom utilizes a durable rack and pinion drive to position the vertical lance. The lance can be stopped at any height and offers a maximum stroke length of 12 feet, and the mounting flange can be customized to fit your tank opening.

OPTIONAL CONTROL BOX

We also offer a dual function Control Box which manages the air supply to the boom. The CB-2S™ controls the vertical position and linear speed of the lance. This Control Box can be modified to fit your specific application.

EXTENSION BOOM SPECIFICATIONS

	EB-100
MAX. PRESSURE	12k psi (830 bar)
LINEAR SPEED	8-45 in./min (0.2-1.1 m/min)
MAX. STROKE LENGTH	12 ft (3.7 m)
INLET CONNECTION	3/4" NPT

