

# LOW/MEDIUM PRESSURE NOZZLES

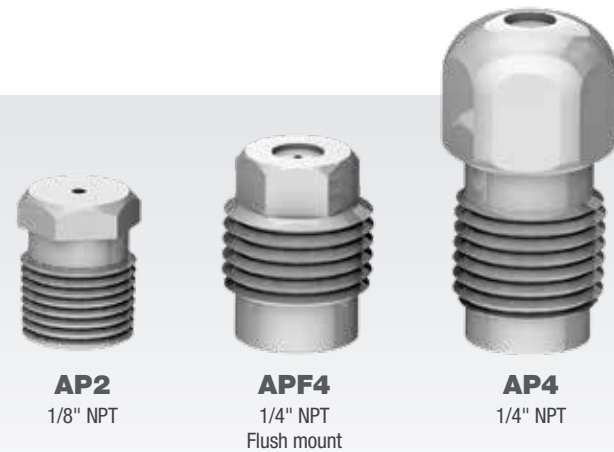
## ATTACK TIPS™

For Low/Medium Pressure Applications

StoneAge Attack Tips are the highest quality, longest lasting nozzles available for low and medium pressure applications (up to 22k psi - 1500 bar). Flow straighteners correct turbulence, ensuring excellent jetting results.

- Pressure Range: 20–40k psi (1400–2800 bar)
- Flow Range: 0.6–46 gpm (2.27–174 l/min)

STAINLESS STEEL OR CARBIDE AVAILABLE



## ATTACK TIP NOZZLE FLOW CHART (GPM)

ORIFICE I.D.		PRESSURE - KPSI & (BAR)											FLOW RATING	
		2	4	6	8	10	12	14	15	16	18	20		22
in.	mm	(140)	(280)	(410)	(550)	(700)	(830)	(970)	(1000)	(1100)	(1200)	(1400)	(1500)	
.018	(0.46)	0.39	0.55	0.68	0.78	0.87	0.96	1.0	1.1	1.1	1.2	1.2	1.3	0.6
.020	(0.51)	0.48	0.68	0.83	0.96	1.1	1.2	1.3	1.3	1.5	1.5	1.5	1.6	0.7
.022	(0.56)	0.58	0.82	1.0	1.2	1.3	1.4	1.5	1.6	1.6	1.7	1.8	1.9	0.8
.024	(0.61)	0.69	0.98	1.2	1.4	1.6	1.7	1.8	1.9	2.0	2.1	2.2	2.3	1.0
.026	(0.66)	0.81	1.2	1.4	1.6	1.8	2.0	2.1	2.2	2.3	2.4	2.6	2.7	1.1
.029	(0.74)	1.0	1.4	1.7	2.0	2.3	2.5	2.7	2.8	2.9	3.0	3.2	3.4	1.4
.032	(0.81)	1.2	1.7	2.1	2.5	2.8	3.0	3.3	3.4	3.5	3.7	3.9	4.1	1.7
.035	(0.89)	1.5	2.1	2.6	3.0	3.3	3.6	3.9	4.0	4.2	4.4	4.7	4.9	2.1
.038	(0.97)	1.7	2.5	3.0	3.5	3.9	4.3	4.6	4.8	4.9	5.2	5.5	5.7	2.5
.042	(1.07)	2.1	3.0	3.7	4.2	4.7	5.2	5.6	5.8	6.0	6.4	6.7	7.0	3.0
.047	(1.19)	2.7	3.8	4.6	5.3	5.9	6.5	7.0	7.3	7.5	8.0	8.4	8.8	3.8
.052	(1.32)	3.3	4.6	5.6	6.5	7.3	8.0	8.6	8.9	9.2	9.8	10	11	4.6
.057	(1.45)	3.9	5.5	6.8	7.8	8.7	9.6	10	11	11	12	12	13	5.5
.063	(1.60)	4.8	6.8	8.3	9.6	11	12	13	13	14	14	15	16	6.8
.069	(1.78)	5.7	8.1	9.9	12	13	14	15	16	16	17	18	19	8.1
.075	(1.91)	6.8	9.6	12	13	15	17	18	19	19	20	21	23	9.6
.082	(2.08)	8.1	12	14	16	18	20	21	22	23	24	26	27	12
.090	(2.29)	9.8	14	17	20	22	24	26	27	28	29	31	32	14
.098	(2.49)	12	16	20	23	26	28	31	32	33	35	37	38	16
.106	(2.69)	14	19	23	27	30	33	36	37	38	41	43	45	19
.115	(2.92)	16	23	28	32	36	39	42	44	45	48	50	53	23
.125	(3.18)	17	27	33	38	42	46	50	52	53	56	60	62	27
.135	(3.43)	22	31	38	44	49	54	58	60	62	66	69	73	31
.145	(3.68)	25	36	44	51	57	62	67	69	72	76	80	84	36
.155	(3.94)	29	41	50	58	65	71	77	79	82	87	92	96	41
.165	(4.19)	33	46	57	66	73	80	87	90	93	98	104	109	46

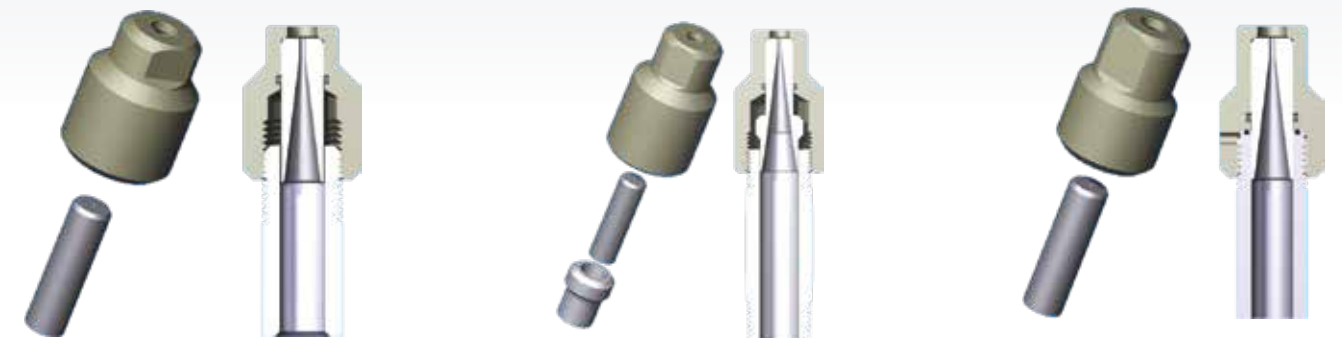
# WATERBLAST ACCESSORIES

## OC8 CARBIDE INSERTS

We recommend using our OC8 Holders and OC8 Carbide Inserts where filtration is poor, abrasive solids are present or for very high flows. Replaceable carbide inserts are available in large orifice diameters to handle high flows and contain a long taper to provide excellent jet quality.

### FEATURES:

- Pressure Range: 2–22k psi (138–1500 bar) Flow Range: 7–106 gpm (26.5–401 l/min)



### OC8 P8 HOLDER & OC8 CARBIDE INSERTS

For 15k psi (1000 bar)  
1/2" NPT female connection.

### OC8 P12 HOLDER & OC8 CARBIDE INSERTS

For 15k psi (1000 bar)  
3/4" NPT female connection.

### OC8 G12 HOLDER & OC8 CARBIDE INSERTS

For 22k psi (1500 bar)  
G12 female connection.

## OC8 NOZZLE FLOW CHART (GPM)

ORIFICE I.D.		PRESSURE - KPSI & BAR											FLOW RATING	
		2	4	6	8	10	12	14	15	16	18	20		22
in.	mm	(140)	(280)	(410)	(550)	(700)	(830)	(970)	(1000)	(1100)	(1200)	(1400)	(1500)	
.063	(1.60)	4.8	6.7	8.2	9.5	11	12	13	13	14	14	15	16	7
.075	(1.91)	6.8	9.6	12	14	15	17	18	19	19	20	21	22	10
.085	(2.16)	8.7	12	15	17	19	21	23	24	25	26	28	29	12
.095	(2.41)	11	15	19	22	24	27	29	30	31	33	33	36	15
.105	(2.67)	13	19	23	27	30	33	35	36	38	40	42	44	19
.125	(3.18)	19	27	33	38	42	46	50	52	53	56	60	62	27
.145	(3.68)	25	36	44	50	57	62	67	69	72	76	80	84	36
.165	(4.19)	33	46	56	66	73	80	87	90	93	98	104	109	46
.175	(4.45)	37	52	64	74	82	90	98	101					52
.190	(4.83)	43	61	75	87	97	106	115	119					61
.200	(5.08)	48	68	83	96	108	118	127	132					68
.215	(5.46)	56	79	96	111	124								78
.235	(5.97)	66	94	115	133	149								94
.250	(6.35)	75	106	130	150	168								106