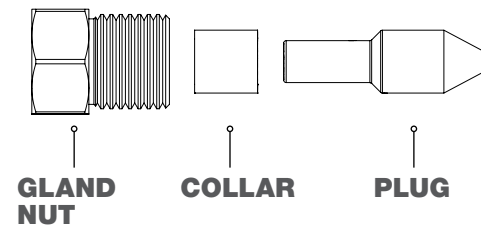


FITTINGS 40K PSI (2800 BAR)

HIGH PRESSURE GLAND NUTS, COLLARS, AND PLUGS

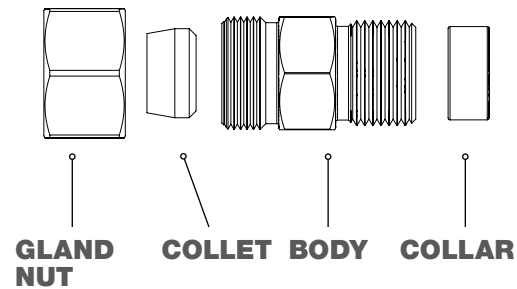
SIZE	GLAND PART NO.	COLLAR PART NO.	PLUG PART NO.
1/4" HP	AF 070-H4	AF 071-H4	AF 076-H4
3/8" HP	AF 070-H6	AF 071-H6	AF 076-H6
9/16" HP	AF 070-H9	AF 071-H9	AF 076-H9



ANTI-VIBRATION GLAND ASSEMBLIES

Used to reduce stress on tubing threads in conditions where bending or vibration are present. Anti-vibration gland assemblies feature a collet that clamps onto the tubing when tightened to provide extra support and strength.

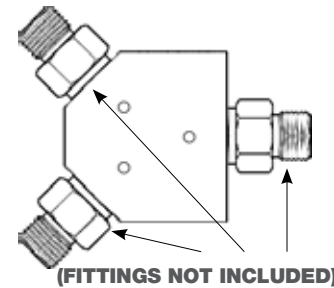
SIZE	ASSEMBLY PART NO.	COLLAR PART NO.
1/4" HP	AF 072-H4	AF 071-H4
3/8" HP	AF 072-H6	AF 071-H6
9/16" HP	AF 072-H9	AF 071-H9



Y-ADAPTERS

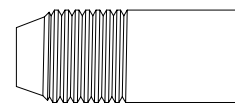
Allows for the connection of two multi-mode valves to one supply source.

PART NO.	CONNECTION 1	CONNECTION 2	MAX. WORKING PRESSURE	
			psi	bar
AF 030-H9	9/16" HP Female		50k	3,450
ABX 369-H9	9/16" HP Female	3/8" HP Female x 3	44k	3,000



HIGH PRESSURE NIPPLES

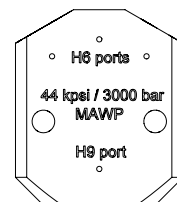
PART NO. <i>Specify length in inches, in place of "XX"</i>	CONNECTION TYPE		MAX. WORKING PRESSURE	
	Connection 1	Connection 2	psi	bar
SA 569-H9LH9L-XX	9/16" HP LH Male	9/16" HP LH Male	60k	4138
SA 569-H9RH9L-XX	9/16" HP RH Male	9/16" HP LH Male	60k	4138
SA 569-H9RH9R-XX	9/16" HP RH Male	9/16" HP RH Male	60k	4138
SA 569-H9LS6-CSTM	9/16" HP LH Male	3/8"-24 Straight Nozzle Female	60k	4138
SA 569-G9S6-10	9/16"-18 Straight O-Ring RH Male	3/8"-24 Straight Nozzle Female	60k	4138



MANIFOLDS

- Manifolds used in 2L, 3L, BRLM systems

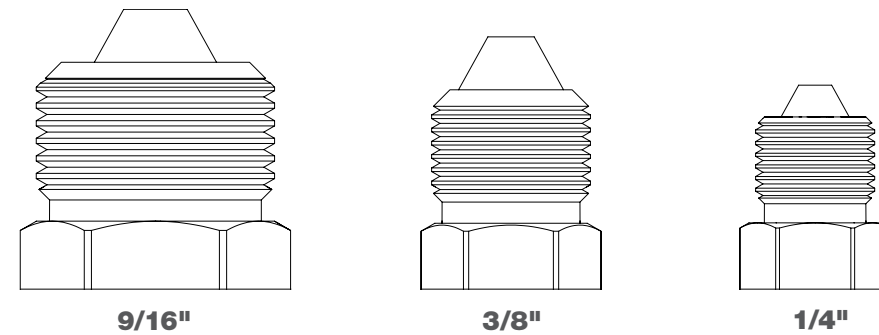
PART NO.	OUTLET CONNECTION	INLET CONNECTION	MAWP PSI/BAR	
			psi	bar
ABX 369-H9	3/8" HP Female	9/16" HP Female	44k	3000



FITTINGS 40K PSI (2800 BAR)

HIGH PRESSURE (HP) SIZE REFERENCE CHART SINGLE PIECE MALE • ACTUAL SIZE

SIZE	RECOMMENDED TORQUE	
	ft-lbs	N-m
1/4" HP	25	34
3/8" HP	50	68
9/16" HP	75	102



HIGH PRESSURE (HP) SIZE REFERENCE CHART GLANDS AND COLLARS • ACTUAL SIZE

SIZE	RECOMMENDED TORQUE	
	ft-lbs	N-m
1/4" HP	25	34
3/8" HP	50	68
9/16" HP	75	102

