

STONEAGE THREAD SIZE CODING

MP THREAD SIZE	STONEAGE CODE
1/4"-28 Left Hand	MP4L
1/4"-28 Right Hand	MP4R
1/4" Gland and Collar 7/16"-20	MP4
3/8"-24 Left Hand	MP6L
3/8"-24 Right Hand	MP6R
3/8" Gland and Collar 9/16"-18	MP6
9/16"-18 Left Hand	MP9L
9/16"-18 Right Hand	MP9R
9/16" Gland and Collar 13/16"-16	MP9
3/4"-16 Left Hand	MP12L
3/4"-16 Right Hand	MP12R
3/4" Gland and Collar 3/4"-14 NPSM	MP12
M14 x 1.5 Left Hand	MPM14L
1"-12 Left Hand	MP16L
1"-12 Right Hand	MP16R
1" Gland and Collar 1-3/8"-12	MP16

HP THREAD SIZE	STONEAGE CODE
1/4"-28 Left Hand	H4L
1/4"-28 Right Hand	H4R
1/4" Gland and Collar 9/16"-18	H4
3/8"-24 Left Hand	H6L
3/8"-24 Right Hand	H6R
3/8" Gland and Collar 3/4"-16	H6
9/16"-18 Left Hand	H9L
9/16"-18 Right Hand	H9R
9/16" Gland and Collar 1-1/8"-12	H9
M14x1.5 Left Hand	HM14L

STONEAGE THREAD SIZE	STONEAGE CODE
9/16"-18 UNF O-Ring Face	G9
3/4"-16 UNF O-Ring Face	G12
1"-12 UNF O-Ring Face	G16
1-1/8"-12 UNC O-Ring Face	K
3/4" Type M Male	TM12

FOR EXAMPLE:

BN18-MP9L is the Part ID for a Banshee swivel. The **MP9L** indicates 9/16"-18 UNF left hand thread. So this tool would fit directly to a 9/16"-18 LH hose or lance end.

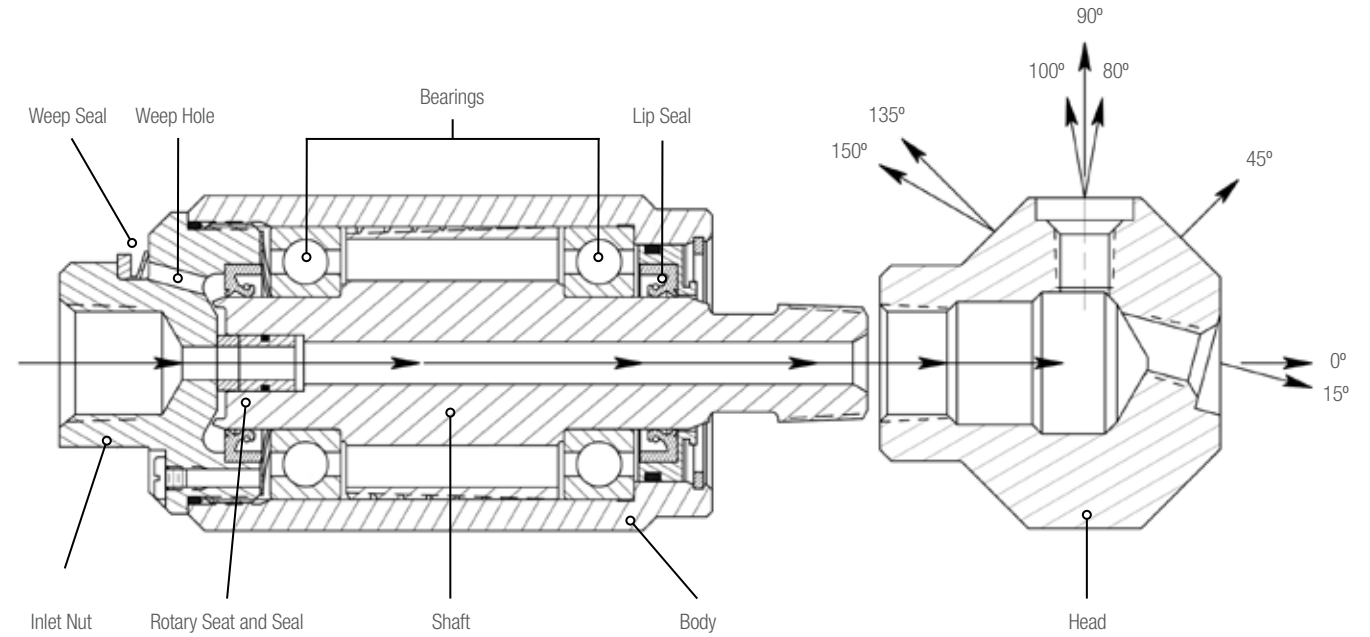
BN33-MP9 is the Part ID for a Banshee swivel. The **MP9** indicates a 9/16" MP inlet that requires a gland and collar and the actual thread size is 13/16"-16 UNF right hand. Check the fittings and adapters section for the correct selection of gland nut and collar or other adapter.

BJV-MP12-S is the Part ID for a BJV swivel. The **MP12** indicates a 3/4" MP inlet that requires a gland and collar and the actual thread size is 3/4"-14 NPSM right hand. Check the fittings and adapters section for the correct selection of gland and collar or other adapter.

BN13-H4L is the Part ID for a Banshee swivel. The **H4L** indicates 1/4"-28 UNF left hand thread. The tool would fit directly to a 1/4"-28 LH hose or lance end.

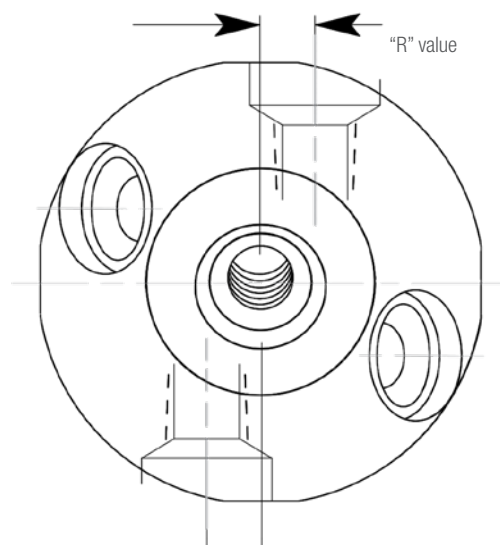
BC-H9-C is the Part ID for a Barracuda tool assembly. The **H9** indicates a 9/16" HP inlet that requires a gland and collar and the actual thread size is 1 1/8"-12 right hand. Check the fittings and adapters section for the correct selection of gland and collar.

STONEAGE SWIVEL BASICS



StoneAge swivels are designed for optimal delivery of high pressure water for cleaning applications:

- Water flows in a direct path through the tool from the inlet.
- Weep seals keep contaminants out of the high pressure seat area.
- Weep holes allow water that may leak past the high pressure seat to escape – if a seat leaked and the nut was unable to release pressure, it could “wash out” the viscous fluid or blow the inlet nut off the end of the tool.
- In our rotary seat and seal design, brass or carbide seats seal against inlet nut. The plastic seal under the seat “swells” and rotates with the shaft and against the seat so the seat does not rotate against the nut.
- Lip seals seal in governor fluid (the fluid helps to control rotation speed) and keep contaminants out.
- Jet ports are called by degree, zero being in a straight line with the inlet side of the tool.



- The “R” value on our heads is the offset at 90°, even if the head has no ports there.