

2 TOOLS IN 1
SAVE TIME – SAVE WATER



NEW FOR 2016

WGR SWITCHER™

The new WGR Switcher is two tools in one. Switch between pulling or cleaning without removing the nozzle from the pipe. When the pump is idled down and brought back to pressure the tool will switch the water flow between two different sets of jets.

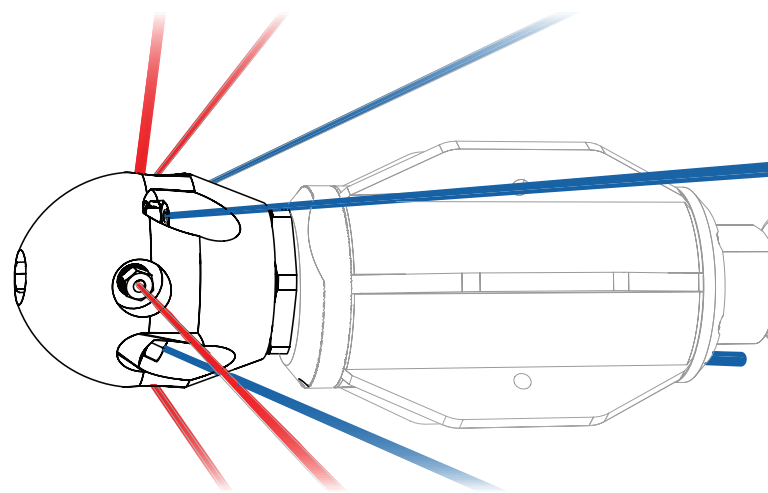
FEATURES:

- Eliminates extra runs needed to swap nozzles – saving water and time
- Run more jobs with one tank of water
- Switch to pulling jets for maximum thrust
- Switch to cleaning jets maximize power for clearing debris and cutting roots

Switcher Head Specifications

MAX PRESSURE	5k psi	345 bar
MAX FLOW (WGR 1")	80 gpm	303 l/min
MAX FLOW (WGR 1.25")	100 gpm	378 l/min
DIAMETER	4.5 in.	114 mm
LENGTH	10.25 in.	260 mm
WEIGHT	13 lb	5.9 kg

“ We can now use the same nozzle in either cutting or flushing mode. We're very close to **50% faster** with **35% less water usage** when using the Switcher vs a rotational /fixed nozzle combination.
JOE SCHOTTHOEFER
DOETSCH ENVIRONMENTAL SERVICES



1) START IN PULLING/FLUSHING MODE

All flow is directed to four 155°

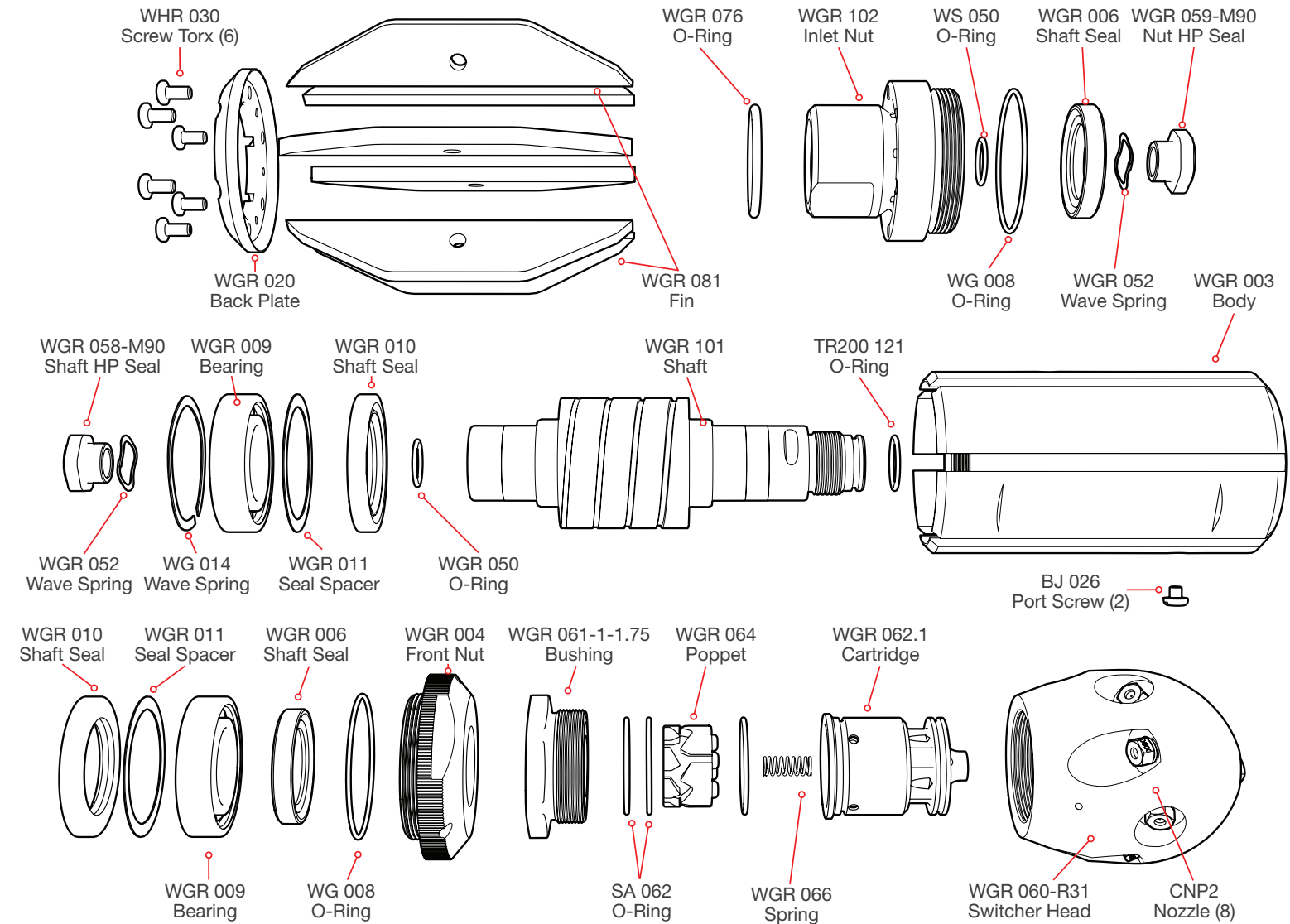
2) POWER DOWN PUMP TO SWITCH TO CLEANING MODE

All flow is directed to two 100° jets and two 125° jets

3) SWITCH BACK TO PULLING/FLUSHING MODE

WGR MAGNUM

Exploded View - Part Names and Numbers



Maintenance & Overhaul Kits

WGR 601 • FLUID KIT

- (1) WGR 601 Fluid Service Kit
- (1) BC 410 Syringe
- (2) BJ 026 Port Screw
- (1) WGR 048 Visc Fluid, 6oz
- (3) VISC. FLUID OPTIONS AVAIL.

WGR 602 • HP SEAL KIT

- (1) BJ 062-S Antiseize, 2g
- (2) WGR 052 HP Seal Wave Spring
- (1) WGR 058 HP Seal - Shaft
- (1) WGR 059 HP Seal - Nut
- (2) WGR 050 HP Seal O-Ring

WGR 610 • OVERHAUL KIT

- (2) BJ 026 Port Screw
- (1) BJ 062-S Antiseize, 2g
- (1) GP 025-P Front Jet Plug
- (1) TR200 121 Head - Shaft O-Ring
- (1) WG 008 Nut O-Ring
- (1) WG 014 Bearing Wave Spring
- (2) WGR 006 Shaft Seal - Outer
- (2) WGR 009 Bearing
- (2) WGR 010 Shaft Seal - Inner
- (2) WGR 011 Seal Spacer
- (6) WHR 030 Torx Screws
- (1) WGR 048 Visc Fluid, 6oz

- (2) WGR 052 HP Seal Wave Spring
- (1) WGR 058 HP Seal - Shaft
- (1) WGR 059 HP Seal - Nut
- (1) WGR 076 Weep Seal O-Ring
- (1) WGR 180 Torx L-Wrench
- (2) WGR 050 HP Seal O-Ring

WGR 612 • TOOL KIT

- (1) WGR 180 Torx L-Wrench
- (1) WGR 181 Removal Press Tube
- (1) WGR 182 Installation Press Tube
- (1) WGR 183 Hex Tool
- (1) WGR 184 HP Seal Install Tool