

OUR CLASSIC WG-1 MODEL IS A MUNICIPAL WORKHORSE.



WG-1 CLASSIC

8"-36" (203-914 mm) Lines

The WG-1 is the proven choice for municipal, industrial and commercial drain cleaning applications. Predominately used in large combination trucks with 1" (25 mm) hose, the WG-1 is field-maintainable for low cost of ownership and can be fitted with replaceable AP2 nozzle tips sized to maximize pump efficiency and effectiveness.

- CONTROLLED ROTATION**
 Slower dwell time allows jets to penetrate deeper through deposits
- MULTIPLE HEAD OPTIONS**
 Customize tool for unplugging, descaling or manhole cleaning
- HIGHEST QUALITY JETS**
 Hardened stainless steel orifices resist cracking and scratching

WG-1 CLASSIC

8"-36" Lines (203-914 mm)

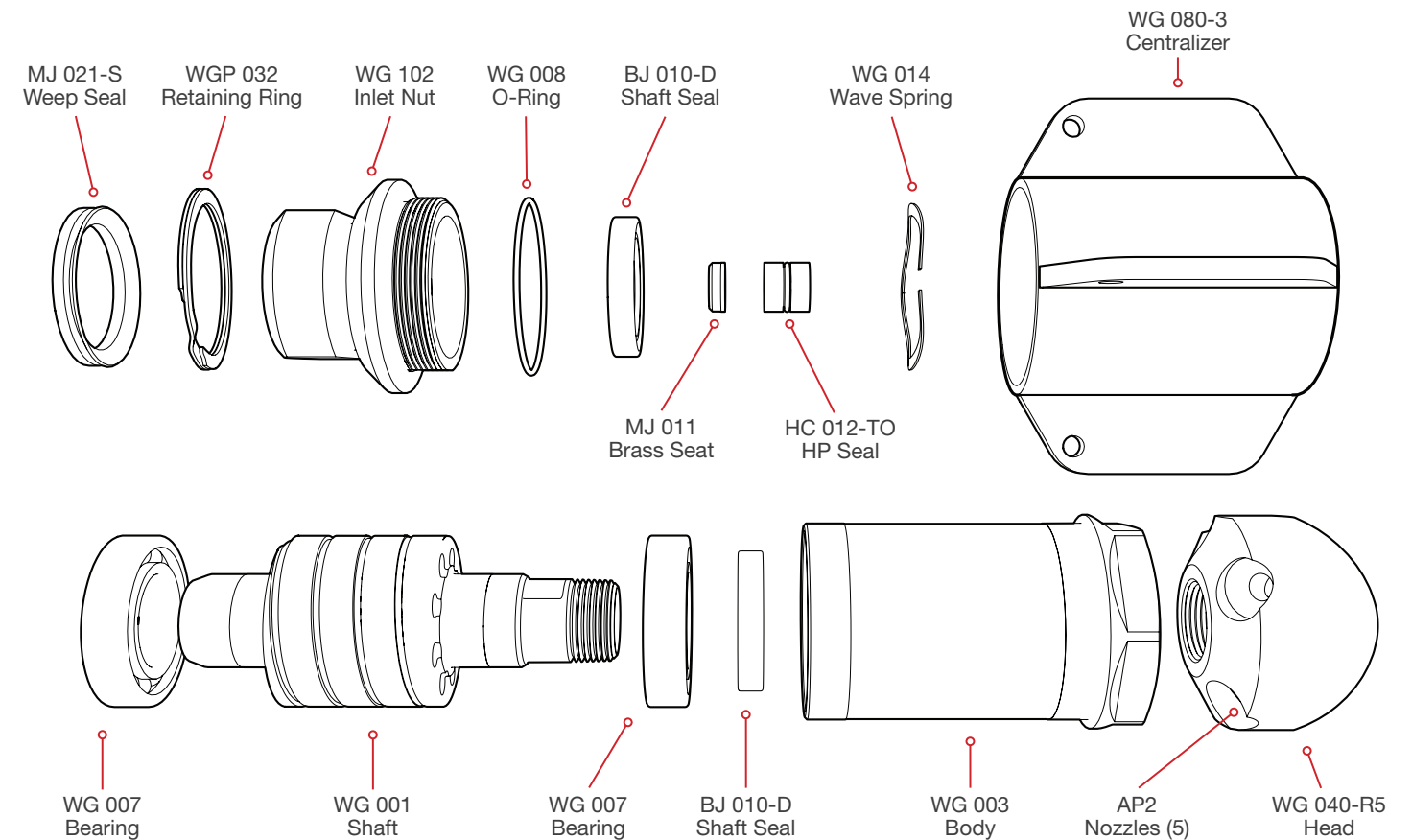
Up to 5k psi (350 bar)
50-80 gpm Flows (190-300 l/min)
Classic WG-1 Model

WG-1 Specifications

MAXIMUM PRESSURE	5k psi 350 bar
OPERATING PRESSURE	1500-5k psi 100-350 bar
ROTATION SPEED	150-300 rpm
FLOW	50-80 gpm 190-300 l/min
FLOW RATING	4.6 Cv
PULLING FORCE	70-100 lb 310-450 Nm
INLET CONNECTION	1 NPT or BSPP
NOZZLE PORTS	5 x 1/8 NPT (P2)
LENGTH	9.1 in. 231 mm
DIAMETER	4.8 in. 122 mm
WEIGHT COMPLETE	10.9 lb 4.9 kg

WG-1 CLASSIC

Exploded View - Part Names and Numbers



Maintenance & Overhaul Kits

WG 600 • SERVICE KIT

- (1) **BJ 048-F** Visc. Fluid, 6oz.
- (1) **BJ 062-S** Antiseize, 2g
- (1) **GP 025-P2** Hex Socket Plug
- (1) **MJ 011** Brass Seat
- (1) **HC 012-TO** HP Seal & O-Ring

WG 610 • OVERHAUL KIT

- (2) **BJ 010-D** Shaft Seals
- (1) **BJ 048-F** Visc. Fluid, 6oz.
- (1) **BJ 062-S** Antiseize, 2g
- (1) **MJ 011** Brass Seat
- (1) **HC 012-TO** HP Seal & O-Ring
- (2) **WG 007** Ball Bearings
- (1) **WG 008** O-Ring
- (1) **WG 014** Wave Spring
- (1) **MJ 021-S** Weep Seal
- (1) **WGP 032** Retaining Ring

WG 612 • TOOL KIT

- (1) **HC 064** Fill Tube
- (1) **BJ 105** Tool

WG 602 • SEAL KIT

- (1) **MJ 011** Brass Seat
- (1) **HC 012-TO** HP Seal & O-Ring