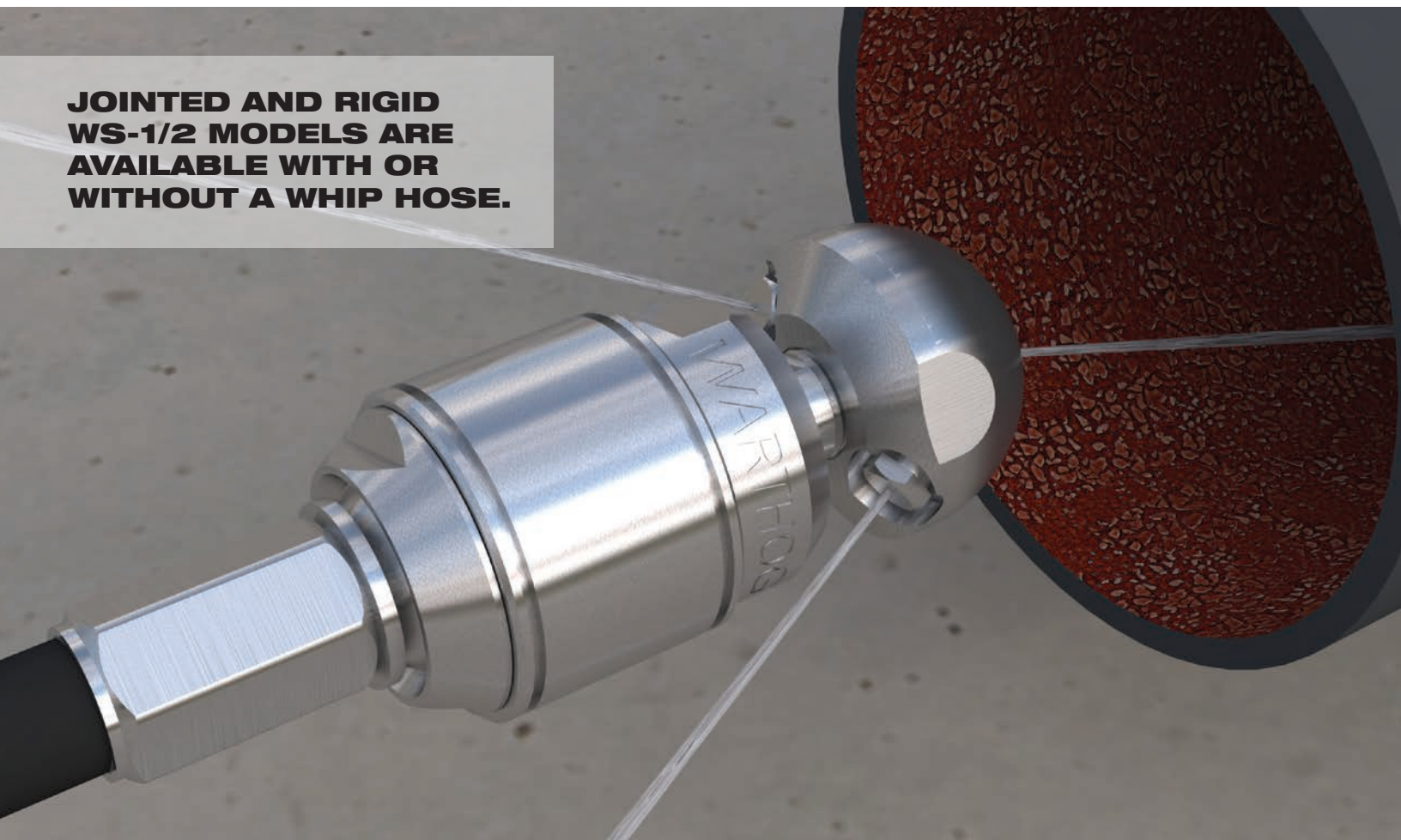


JOINTED AND RIGID WS-1/2 MODELS ARE AVAILABLE WITH OR WITHOUT A WHIP HOSE.



WS-1/2 CLASSIC

4"-8" (102-204 mm) Lines

The WS-1/2 is designed to handle 4"-8" (102-204 mm) lines and is most commonly used with trailer jettors. It is used to clean lines in restaurants, hospitals, multi-story apartment buildings, residential, and other applications. Easily removes grease, cuts roots, and clears ice and soil blockages.

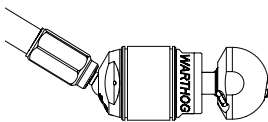
WS-1/2	Up to 5k psi (350 bar)
	8-20 gpm Flows (30-76 l/min)
	Three Models Available

WS-1/2 Specifications

MAXIMUM PRESSURE	5k psi (350 bar)
OPERATING PRESSURE	1500-5k psi (100-350 bar)
ROTATION SPEED	200-500 rpm
FLOW	8-20 gpm (30-76 l/min)
FLOW RATING	1.3 Cv
PULLING FORCE	9-27 lb (40-120 N)
INLET CONNECTION	1/2 NPT & BSPP
TOOL DIAMETER	1.9 in. (48 mm)
LENGTH	4.4 in. (112 mm)
NOZZLE PORTS	3 x 1/8 NPT
WEIGHT COMPLETE	2.95 lb (1.33 kg)

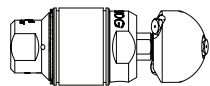
WS-J JOINTED INLET MODELS

This model allows the inlet hose to bend to the side, shortening the rigid length of the tool and allowing limited access applications to be cleaned much easier. 1/2" NPT or BSPP inlet ports available.



WS-P8 OPTIONAL RIGID INLETS

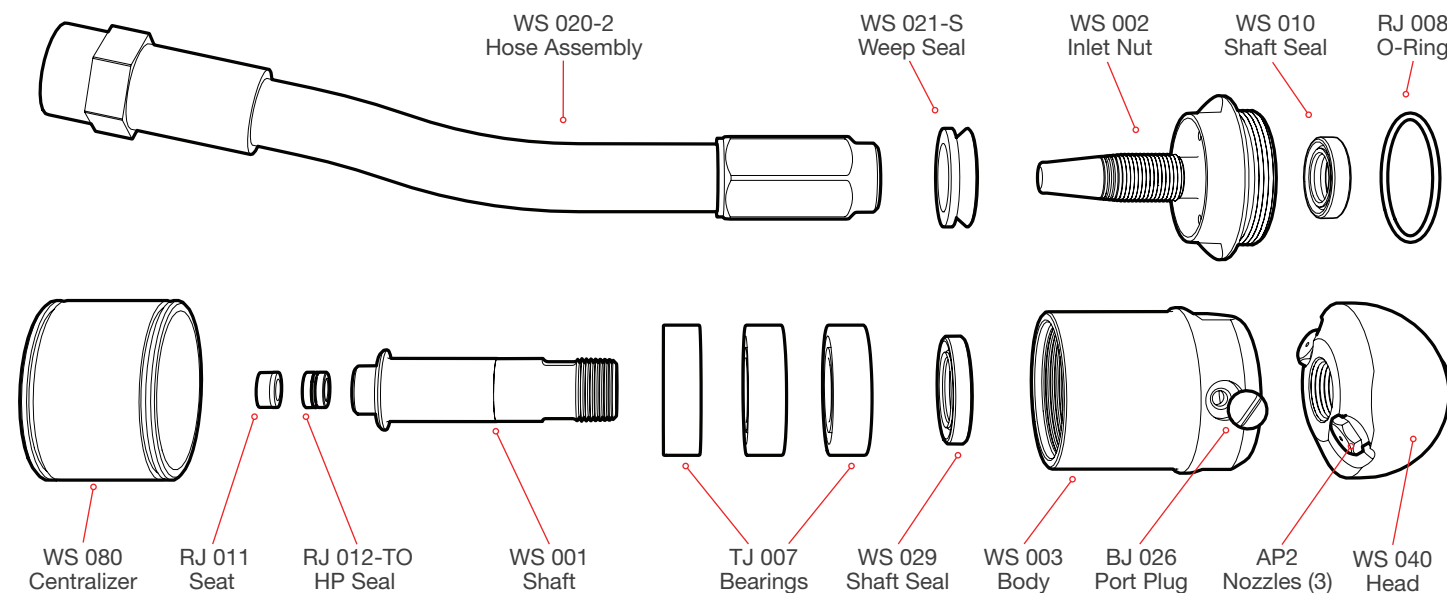
The WS-P8 is excellent for straight pipes. The whip hose is removed, allowing the hose to connect directly to the tool. Available with a female 1/2" NPT or BSPP connection.



NOTE: 4" (102 mm) 90° bends are no longer negotiable in this configuration.

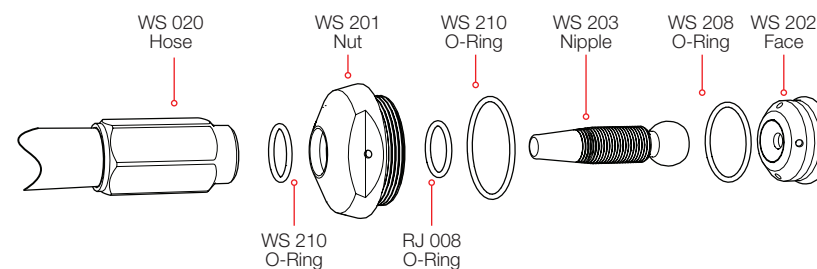
WS-1/2

Exploded View - Part Names and Numbers



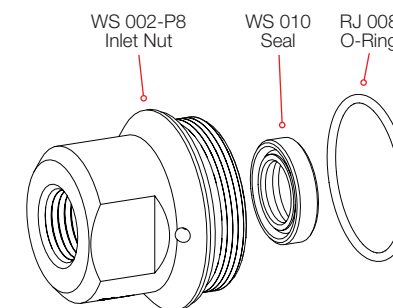
WS-1/2-J

Inlet Area Parts



WS-P8

Inlet Area Parts



Maintenance & Overhaul Kits

WS 600 • SERVICE KIT

- (1) BC 410 Syringe Assembly
- (1) BJ 048-S Visc. Fluid, 6oz.
- (1) BJ 062-S Antiseize, 2g
- (1) GP 025-P2 Hex Socket Plug
- (1) RJ 011 Brass Seat
- (1) RJ 012-TO HP Seal & O-Ring

WS 610 • OVERHAUL KIT

- (1) BJ 026 Port Plug
- (1) BJ 048-S Visc. Fluid, 6oz.
- (1) BJ 062-S Antiseize, 2g
- (1) RJ 008 O-Ring
- (1) RJ 011 Brass Seat
- (1) RJ 012-TO HP Seal & O-Ring
- (3) TJ 007 Ball Bearings
- (1) WS 010 Small Seal
- (1) WS 021-S Weep Seal
- (1) WS 029 Large Seal

WS 610-J • OVERHAUL KIT

- (1) BJ 026 Port Plug
- (1) BJ 048-S Visc. Fluid, 6oz.
- (1) BJ 062-S Antiseize, 2g
- (1) RJ 008 O-Ring
- (1) RJ 011 Brass Seat
- (1) RJ 012-TO HP Seal & O-Ring
- (3) TJ 007 Ball Bearings
- (1) WS 010 Small Seal
- (1) WS 029 Large Seal
- (1) WS 208 O-Ring
- (2) WS 210 O-Rings

WS 612 • TOOL KIT

- (1) TJ 064 Fill Tube
- (1) WS 105 Tool

WS 602 • SEAL KIT

- (1) RJ 011 Brass Seal
- (1) RJ 012-TO HP Seal & O-Ring