

AUTOBOX ABX-500

Hose Handling System for Rotary Pipe Cleaning



The AutoBox ABX-500 is a hands-free hose drive for pipe and vessel cleaning. The system accommodates a wide range of hose sizes and passes couplings up to 1.75 in. (45 mm) OD.

You can connect any StoneAge rotary cleaning tool to the hose to suit your application. The ABX-500 controls the forward and reverse speed of the rotary tool for consistent feed rate and dwell time.

COMPETITIVE ADVANTAGES

- Hands-free pipe and vessel cleaning compatible with all StoneAge 2D and 3D tools
- Only hose control device on the market that passes couplings and whip checks
- Small footprint for easy setup in tight spaces
- 1/3 the cost of rotary hose devices
- Simple operation with minimal maintenance requirements — occasional drive roller replacement is a 3-minute swap in the field
- Capable of exerting up to 200 ft-lb of push/pull force on the hose when outfitted with snout accessory
- All parts are stocked and ready to ship same day to minimize work interruption

FEATURES	BENEFITS
<ul style="list-style-type: none"> • Roller-based drive system 	<ul style="list-style-type: none"> • Handles hoses from 0.56-1.75 in. for a wide range of tube cleaning applications • Good traction in changing conditions • Quick, low cost replacement — <i>no tools required</i>
<ul style="list-style-type: none"> • Two active pistons allow couplings and whip checks to pass through 	<ul style="list-style-type: none"> • Continuous operation with multiple hose connections, longer runs with no interruptions
<ul style="list-style-type: none"> • Independent forward/reverse speed control from 0.2–3.0 ft/sec 	<ul style="list-style-type: none"> • Consistent cleaning in both directions produces better results in less time
<ul style="list-style-type: none"> • Remotely adjustable hose clamp 	<ul style="list-style-type: none"> • Adjust to changing conditions on the fly and minimize hose wear without interrupting workflow
<ul style="list-style-type: none"> • Intuitive and ergonomic control box 	<ul style="list-style-type: none"> • Operate all features from outside the blast zone for safety and better line of sight

AUTOBOX ABX-500 OVERVIEW

CONSIDERATIONS

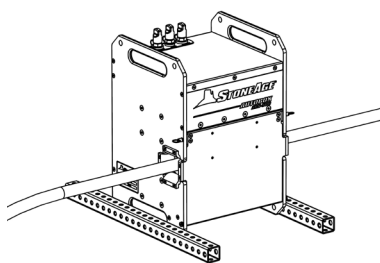
- What size hose and rotary tool will be used?
- How do you plan to anchor the AutoBox ABX-500?
- Do you need a backout preventer? *A backout preventer should always be used with the ABX-500.*

OTHER INFORMATION

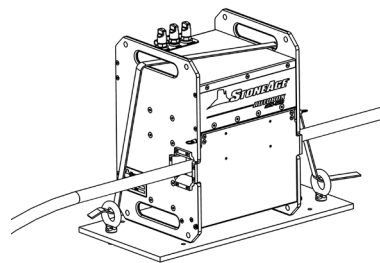
- You can use an AutoBox ABX-500 coupled with a StoneAge rotary tool to replace a Rotary Hose Device in applications where a rotary tool performs well.
- The ABX-500 is designed to retard the pull produced by the rotary tool, creating a consistent feed rate for the hose. It is possible to use the ABX-500 to push the hose, but only when using a snout between the AutoBox and the pipe.
- We recommend Badger tools for pipes with elbows and BJV, Raptor, or Gopher tools for straight pipe runs
- The ABX-500 can operate vertically with 2D and 3D tools for vessel cleaning.
- The ABX-500 can also be used to push/pull lengths of rigid lance/pipe. Contact StoneAge customer service for assistance configuring the system for this type of use.

ANCHORING OPTIONS

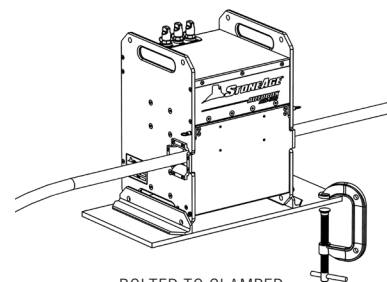
The AutoBox is designed with multiple mounting points to support a wide variety of anchoring options, as illustrated below. Custom anchoring systems are available.



BOLTED TO TELES PAR



SECURED WITH STRAPS



BOLTED TO CLAMPED
PLATE

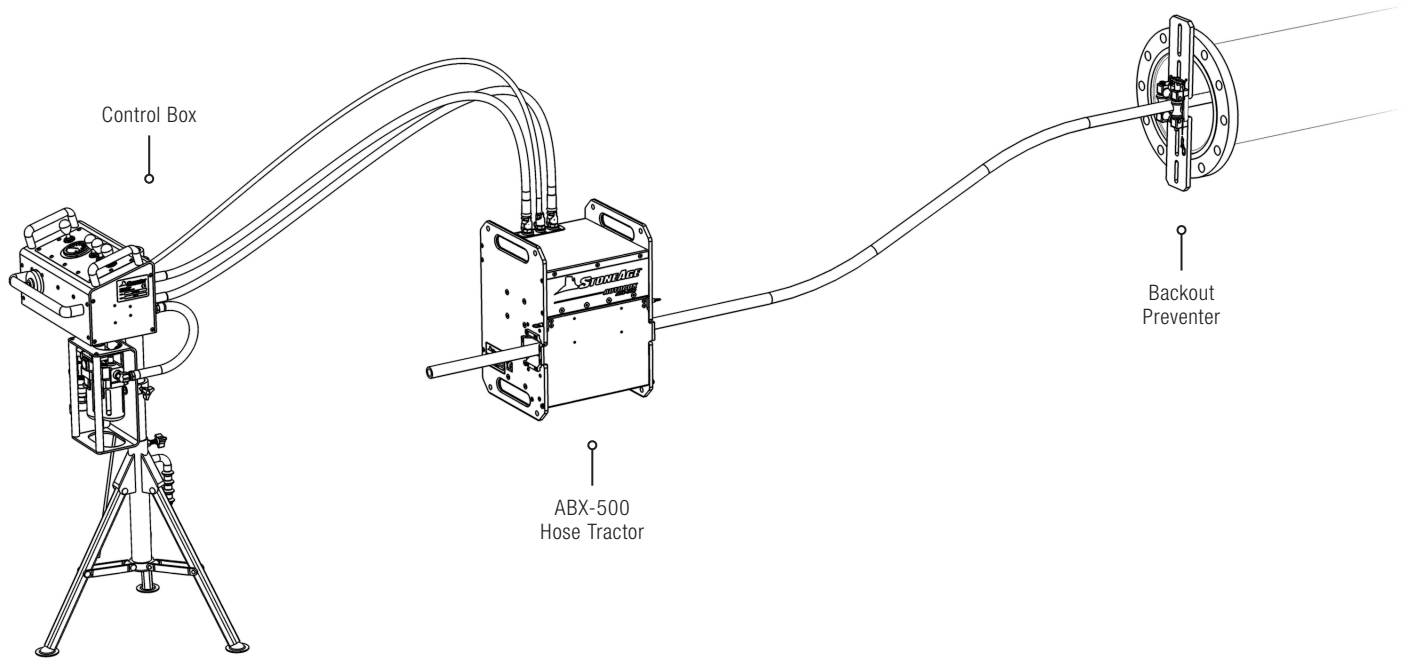
TOOL SPECIFICATIONS

MODEL	ABX-500-V2
Push/pull Force	Up to 200 lbs 90 kg
Hose Feed Rate	1–30 ft/min 0.3–9.1 m/min
Hose Retract Rate	20–30 ft/min 6.0–9.1 m/min
Hose OD Size	0.56–1.75 in. 14–45 mm
Max. Coupling Size	1.75 in. 45 mm
Max. Air Supply Pressure	100 psi (0.7 MPa)
Max. Air Consumption	70 cfm (.03 m ³ /s) at 100 psi (0.7 MPa)
Dimensions	19 in. H x 13 in. W x 12 in. D 483 mm x 330 mm x 305 mm
Weight	90 lbs 41 kg

Visit our website for tool resources including operation and maintenance videos:

WWW.STONEAGETOOLS.COM

AUTOBOX ABX-500 CONFIGURATION



A complete AutoBox ABX-500 configuration includes the following components:

1. ABX-500 hose tractor
2. Control box

The following items may also be requested:

- Backout preventer
- Snout kit
- Optional anchors

AUTOBOX ABX-500 CONFIGURATION

ORDERING THE BASE PACKAGE

StoneAge offers a preconfigured base package for the AutoBox ABX-500 that can be ordered in a single Part ID. The ABX-500 base package includes: 1. AutoBox ABX-500 hose tractor, 2. Two sets of rollers, 3. Control box.

The following table shows the configuration of the ABX-500 base package:

PACKAGE CONTENTS	PACKAGE PART ID
1 x ABX-500-V2 Hose tractor 1 x ABX 547 Drive roller assembly (1" groove) 1 x ABX 548 Drive roller assembly (1.25" groove) 1 x Control box	ABX-500-V2-PKG

*Actual Part ID will depend on size

For questions or help with a specific application, configuration or tool repairs, please contact StoneAge Customer Service.

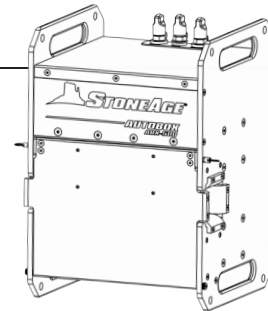
ORDERING BY LINE ITEM

A complete AutoBox ABX-500 system can be configured by line item by following the steps outlined below. Contact StoneAge customer service for questions about specific applications.

STEP 1 HOSE TRACTOR

The AutoBox ABX-500-V2 comes with a set of drive rollers (1" groove) installed. Additional rollers can be purchased separately.

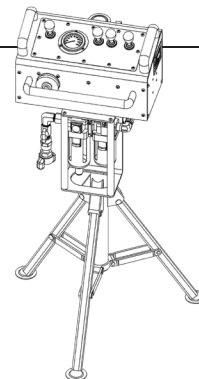
PART ID
ABX-500-V2



STEP 2 CONTROL BOX

The control box facilitates remote operation of all functions of the ABX-500 and comes supplied with air hoses. The CB-ABX is designed to be portable and ergonomic.

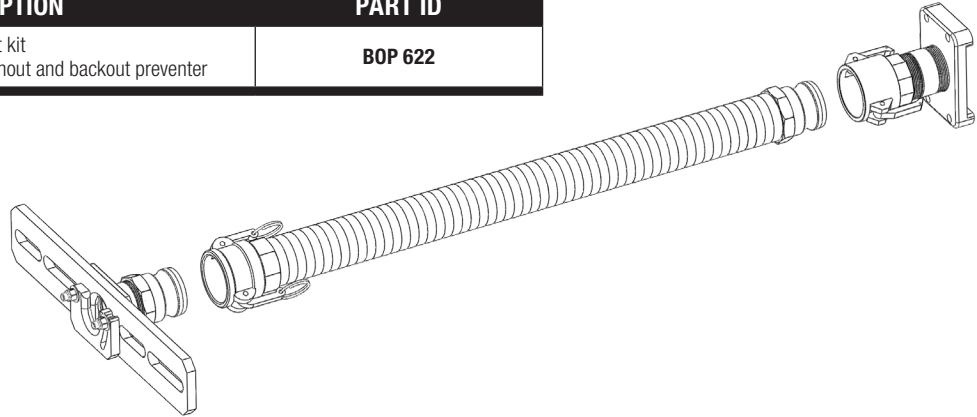
CONTROL BOX PART ID
CB-ABX



STEP 3 **ACCESSORIES**

A flexible snout can aid hose management in difficult access situations and is required when you want the ABX-500 to exert push force on the hose rather than allow the rotary tool alone to drive forward motion.

DESCRIPTION	PART ID
Snout kit Includes ABX-500 adapter, snout and backout preventer	BOP 622



STEP 4 **MAINTENANCE RESOURCES**

The following table lists ABX-500 replacements parts:

DESCRIPTION	PART ID
AutoBox ABX-500 Extra Parts Package Includes Drive roller assembly, square-end key, anti-seize	ABX-500 EPP
Drive roller assembly (1" groove)	ABX 547
Drive roller assembly (1.25" groove)	ABX 548

Tool manuals and training videos are available on our website:

WWW.STONEAGETOOLS.COM