

# EXTENSION NIPPLES

Durable Stainless Steel for Reduced Standoff Distance

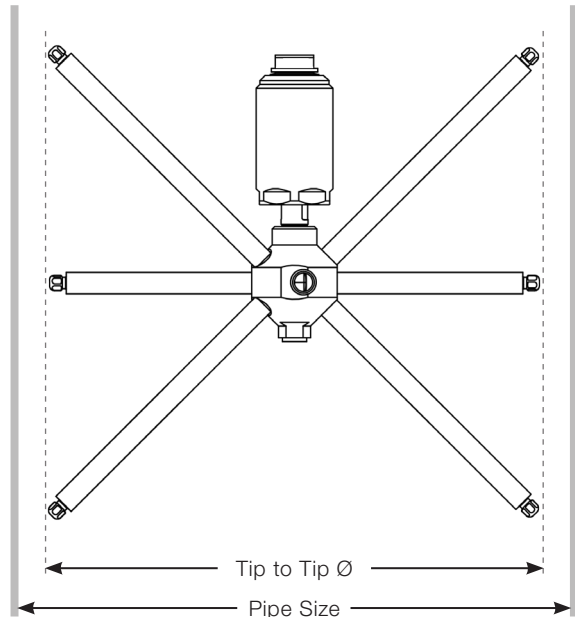
Extension nipples maximize jet power and material removal rates by placing nozzles close to the target surface being cleaned.

StoneAge offers a range of durable, stainless steel extension nipples to suit several of our pipe and tank cleaning tools. Custom lengths are available. Contact your Account Representative for price and availability.

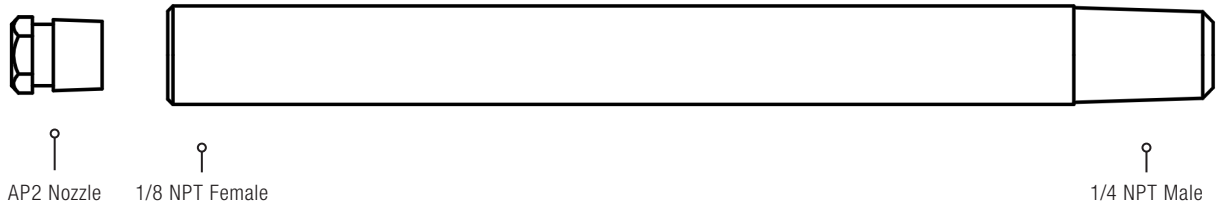
## LENGTH OF EXTENSION

Length of extension is determined by pipe size. Tip to tip diameter ( $\emptyset$ ) of extension length is based on desired standoff and actual tool location in pipe. Extension lengths may differ at individual port angles, for example: the standard nipple listed is as close to 1" of standoff as possible but actual standoff might be  $\pm .5"$  at the 90° and  $+ .5"$  to  $- .5"$  at the 45° and 135° ports.

Use the tables below to select appropriate length of extension for required tip to tip diameter.



## 1/4 NPT PORT EXTENSION NIPPLES



## EXTENSION SPECIFICATIONS

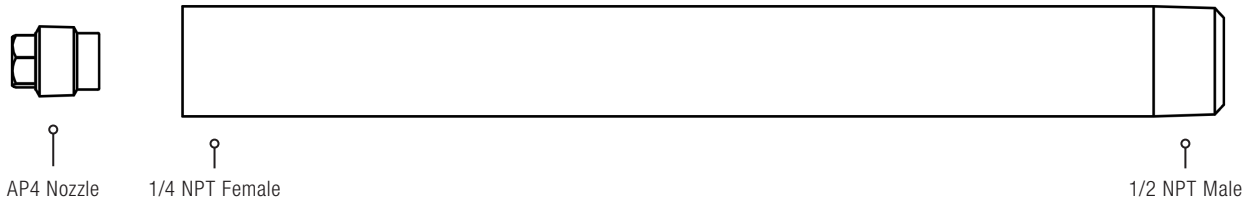
NIPPLE LENGTH	PART ID	TIP-TO-TIP DIAMETER*			
		RPT 044 HEADS		BJ 044 & BJ 144 HEADS	
		80°, 90°, 100°	45°, 135°	80°, 90°, 100°	45°, 135°
2 in. 51 mm	<b>SA 567-P4P2-2</b>	7 in. 178 mm	6 in. 152 mm	8 in. 203 mm	7 in. 178 mm
3 in. 76 mm	<b>SA 567-P4P2-3</b>	9 in. 229 mm	7 in. 178 mm	10 in. 254 mm	8 in. 203 mm
4 in. 101 mm	<b>SA 567-P4P2-4</b>	11 in. 280 mm	9 in. 229 mm	12 in. 305 mm	10 in. 254 mm
6 in. 152 mm	<b>SA 567-P4P2-6</b>	15 in. 381 mm	11 in. 280 mm	16 in. 406 mm	12 in. 305 mm
8 in. 203 mm	<b>SA 567-P4P2-8</b>	19 in. 483 mm	15 in. 381 mm	20 in. 508 mm	16 in. 406 mm
10 in. 254 mm	<b>SA 567-P4P2-10</b>	23 in. 584 mm	17 in. 432 mm	24 in. 610 mm	18 in. 457 mm
12 in. 305 mm	<b>SA 567-P4P2-12</b>	27 in. 686 mm	21 in. 533 mm	28 in. 711 mm	23 in. 584 mm

\*Overall length including nozzles. Extension weight per inch (25 mm) = 0.05 lbs (0.02 kg)

### Can be fitted to the following heads:

- BJ 044-P4-6-R09
- BJ 044-P4-6-R12
- BJ 044-P4-6-R20
- BJ 044-P4-6-R35
- BJ 044-P4-6-R60
- BJ 044-P4-7-R09
- BJ 044-P4-7-R12
- BJ 044-P4-7-R20
- BJ 044-P4-7-R35
- BJ 044-P4-7-R60
- BJ 144-P4-6-R12
- BJ 144-P4-6-R20
- BJ 144-P4-6-R35
- BJ 144-P4-6-R60
- BJ 144-P4-7-R12
- BJ 144-P4-7-R20
- BJ 144-P4-7-R35
- BJ 144-P4-7-R6
- RPT 044-P4-6-R11
- RPT 044-P4-6-R18
- RPT 044-P4-6-R30

## 1/2 NPT PORT EXTENSION NIPPLES



## EXTENSION SPECIFICATIONS

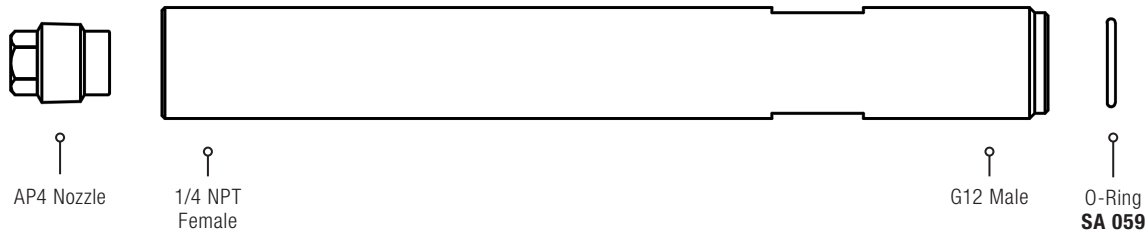
NIPPLE LENGTH	PART ID	TIP-TO-TIP DIAMETER*	
		BJ 041 HEADS	
		80°, 90°, 100°	45°, 135°
2 in. 51 mm	<b>SA 356-P8P4-2</b>	8 in. 203 mm	7 in. 178 mm
3 in. 76 mm	<b>SA 356-P8P4-3</b>	10 in. 254 mm	8 in. 203 mm
4 in. 101 mm	<b>SA 356-P8P4-4</b>	12 in. 305 mm	10 in. 254 mm
6 in. 152 mm	<b>SA 356-P8P4-6</b>	16 in. 406 mm	12 in. 305 mm
8 in. 203 mm	<b>SA 356-P8P4-8</b>	20 in. 508 mm	16 in. 406 mm
10 in. 254 mm	<b>SA 356-P8P4-10</b>	24 in. 610 mm	18 in. 457 mm
12 in. 305 mm	<b>SA 356-P8P4-12</b>	28 in. 711 mm	21 in. 533 mm
18 in. 457 mm	<b>SA 356-P8P4-18</b>	40 in. 1016 mm	30 in. 762 mm
24 in. 610 mm	<b>SA 356-P8P4-24</b>	52 in. 1320 mm	40 in. 1016 mm
36 in. 914 mm	<b>SA 356-P8P4-36</b>	76 in. 1930 mm	60 in. 1524 mm

\*Overall length including nozzle. Extension weight per inch (25 mm) = 0.11 lbs (0.05 kg)

### Can be fitted to the following heads:

- BJ 041-P8-6-R12
- BJ 041-P8-6-R20
- BJ 041-P8-6-R35
- BJ 041-P8-6-R60

## G12 PORT EXTENSION NIPPLES



## EXTENSION SPECIFICATIONS

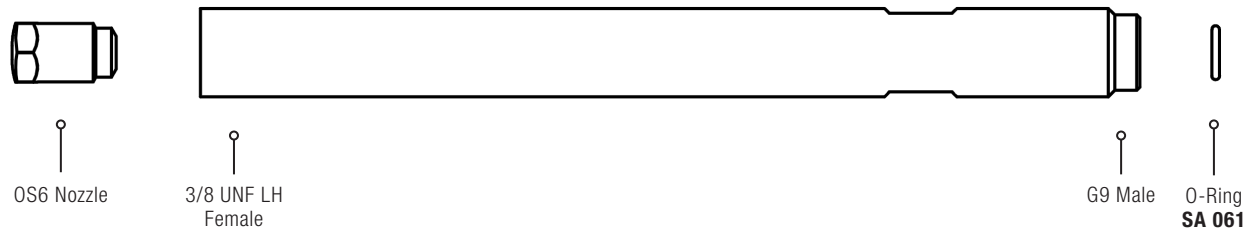
NIPPLE LENGTH	PART ID	TIP-TO-TIP DIAMETER*		
		BJ 145 HEADS		TORUS MANIFOLD
		90°	45°, 135°	
2 in. 51 mm	<b>SA 577-G12P4-2-0</b>	8 in. 203 mm	7 in. 178 mm	6 in. 152 mm
3 in. 76 mm	<b>SA 577-G12P4-3-0</b>	10 in. 254 mm	8 in. 203 mm	7 in. 178 mm
4 in. 101 mm	<b>SA 577-G12P4-4-0</b>	12 in. 305 mm	10 in. 254 mm	9 in. 229 mm
6 in. 152 mm	<b>SA 577-G12P4-6-0</b>	16 in. 406 mm	12 in. 305 mm	11 in. 279 mm
8 in. 203 mm	<b>SA 577-G12P4-8-0</b>	20 in. 508 mm	16 in. 406 mm	15 in. 381 mm
10 in. 254 mm	<b>SA 577-G12P4-10-0</b>	24 in. 610 mm	18 in. 457 mm	17 in. 432 mm
12 in. 305 mm	<b>SA 577-G12P4-12-0</b>	28 in. 711 mm	21 in. 533 mm	21 in. 533 mm
18 in. 457 mm	<b>SA 577-G12P4-18-0</b>	40 in. 1016 mm	30 in. 762 mm	29 in. 737 mm
24 in. 610 mm	<b>SA 577-G12P4-24-0</b>	60 in. 1524 mm	38 in. 965 mm	37 in. 940 mm
32 in. 813 mm	<b>SA 577-G12P4-32-0</b>	72 in. 1829 mm	46 in. 1168 mm	43 in. 1092 mm
36 in. 914 mm	<b>SA 577-G12P4-36-0</b>	80 in. 2032 mm	55 in. 1397 mm	54 in. 1372 mm

\*Overall length including nozzle. Extension weight per inch (25 mm) = 0.08 lbs (0.04 kg)

Can be fitted to the following heads and Torus manifolds:

- BJ 145-G12-R12
- BJ 145-G12-R20
- BJ 145-G12-R35
- BJ 145-G12-R60
- TR130 240-R150
- TR130 240-R30
- TR130 240-R50
- TR130 240-R90

## G9 PORT EXTENSION NIPPLES



## EXTENSION SPECIFICATIONS

NIPPLE LENGTH	PART ID	TIP-TO-TIP DIAMETER*	
		BJ 441 HEADS	
		80°, 100°	135°
2 in. 51 mm	<b>SA 569-G9S6-2-0</b>	8 in. 203 mm	7 in. 178 mm
3 in. 76 mm	<b>SA 569-G9S6-3-0</b>	10 in. 254 mm	8 in. 203 mm
4 in. 101 mm	<b>SA 569-G9S6-4-0</b>	12 in. 305 mm	10 in. 254 mm
5 in. 127 mm	<b>SA 569-G9S6-5-0</b>	14 in. 356 mm	11 in. 279 mm
6 in. 152 mm	<b>SA 569-G9S6-6-0</b>	16 in. 406 mm	12 in. 305 mm
7 in. 177 mm	<b>SA 569-G9S6-7-0</b>	18 in. 457 mm	14 in. 356 mm
8 in. 203 mm	<b>SA 569-G9S6-8-0</b>	20 in. 508 mm	16 in. 406 mm
10 in. 254 mm	<b>SA 569-G9S6-10-0</b>	24 in. 610 mm	18 in. 457 mm
12 in. 305 mm	<b>SA 569-G9S6-12-0</b>	28 in. 711 mm	21 in. 533 mm
14 in. 356 mm	<b>SA 569-G9S6-14-0</b>	30 in. 762 mm	23 in. 584 mm
19 in. 483 mm	<b>SA 569-G9S6-19-0</b>	36 in. 914 mm	28 in. 711 mm

\*Overall length including nozzle. Extension weight per inch (25 mm) = 0.06 lbs (0.03 kg)

### Can be fitted to the following heads:

- BJ 441-G9-R25
- BJ 441-G9-R40
- BJ 441-G9-R70