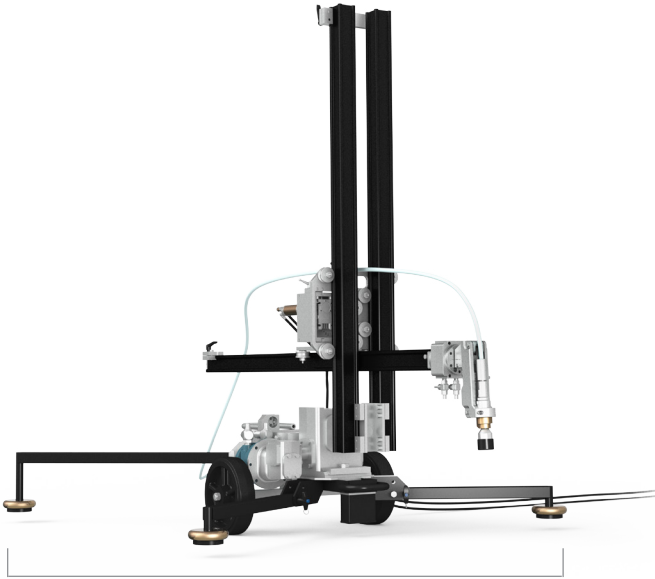


STRIKER SKR-STD

Automated Shotgun Cleaning System



Extended: 63 in. W x 55 in. L
1600 mm W x 1397 mm L
Folded: 25 in. W x 31 in. L
635 mm W x 787 mm L

The Standard Striker SKR-STD is the perfect entry point for contractors who want to add a remote shotgun system to their fleet. The system offers a unique combination of portability and higher thrust capacity for maximum flexibility on the job site, at a fraction of the cost of other robotic options. This modular system combines a rotary shotgun arm and a wheeled base for easy mobility to provide a powerful alternative to manual shotgun cleaning and surface preparation.

COMPETITIVE ADVANTAGES

- Affordable alternative to complicated and expensive robotic systems
- Small footprint and modularity allow precise hands-free shotgun cleaning in tough to reach locations
- The built in wheeled base allows easy maneuverability by a single operator
- The entire system is operated via ergonomic control box from outside the blast zone for increased safety

FEATURES	BENEFITS
<ul style="list-style-type: none"> • Wheeled Base 	<ul style="list-style-type: none"> • Striker can be re-positioned on a job by a single operator
<ul style="list-style-type: none"> • Modular construction 	<ul style="list-style-type: none"> • Easy disassembly allows the Striker to be transported without cranes or heavy equipment for in place cleaning in hard to access locations
<ul style="list-style-type: none"> • Handles 70lbs of thrust 	<ul style="list-style-type: none"> • Designed for use at high pressure and flow for maximum cleaning effectiveness with no operator fatigue – higher productivity over time
<ul style="list-style-type: none"> • Accommodates a variety of shotgun nozzles 	<ul style="list-style-type: none"> • Use the right tool for your specific application
<ul style="list-style-type: none"> • Indexing arm has three axis movement 	<ul style="list-style-type: none"> • Access a large cleaning window without repositioning the system for greater efficiency
<ul style="list-style-type: none"> • Full wrist articulation 	<ul style="list-style-type: none"> • Control of wrist rotation and flex allows for precise positioning of shotgun jets to clean intricate surfaces
<ul style="list-style-type: none"> • Ergonomic control box 	<ul style="list-style-type: none"> • Allows operation from outside the blast zone for increased safety

CONSIDERATIONS

- **Do you need a dump valve and foot pedal?**
Foot pedal, dump valve, and 1/4" hose are not included in the standard base package – work with your customer service representative to source these items.
- **Do you need anchoring equipment?**
If your pressure and flow will generate higher thrust (reaction force) than recommended in the specifications below, you must secure the frame of the Striker for safety. StoneAge offers scaffold mount and J-hook attachment options and can also provide custom solutions to meet your job requirements.
- **Do you need a scaffold mount? Do you need scaffold mount outriggers?**
If a scaffold platform is part of your job setup, scaffold mount outriggers may be used to affix the Striker to the scaffold structure. These mounting options are available for the standard base only.

TOOL SPECIFICATIONS

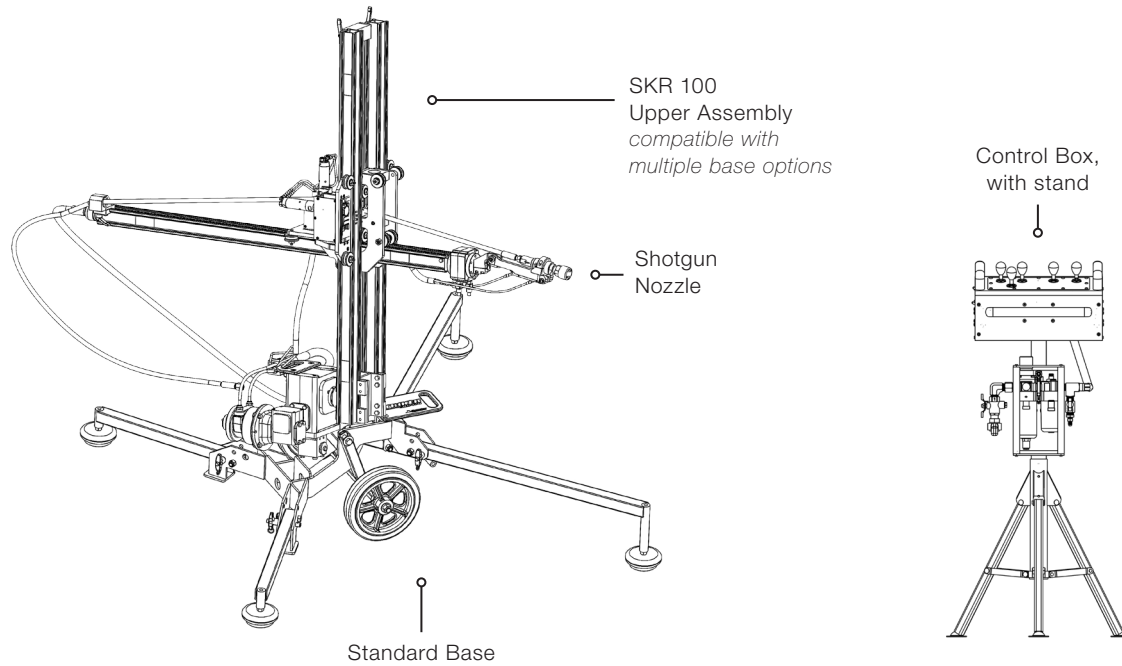
MODEL	SKR-STD
Cleaning Window	60 in. H x 84 in. W x 54 in. D 1524 mm x 2134 mm x 1372 mm
Operating Pressure	22k or 40k psi 1500 or 2800 bar
Reaction Force	Up to 70 lb 32 kg
Air Supply Pressure	80–125 psi 0.70–0.86 MPa
Footprint Dimensions, Folded	25 in. W x 31 in. L 64 cm x 79 cm
Footprint Dimensions, Extended	63 in. W x 55 in. L x 66 in. H 160 cm x 140 cm x 168 cm
Weight, Assembled*	260 lb 118 kg
Control Box Weight	43 lb 19.5 kg
Recommended Operational Temperature	-20–140 °F -29–60 °C

*System can be disassembled for transport.

Visit our website for tool resources including operation and maintenance videos:

WWW.STONEAGETOOLS.COM

STRIKER SKR-STD CONFIGURATION



A complete Striker SKR-STD configuration includes the following components:

1. SKR 100 upper assembly
2. Cart base assembly
3. Control box
4. Hose kit option

The following items may also be requested:

1. Barracuda nozzle package for required pressure
2. Foot pedal and dump valve

STRIKER SKR-STD CONFIGURATION

ORDERING THE PACKAGE

StoneAge offers preconfigured Striker SKR-STD packages. Optional items can be ordered separately.

Select a base package from the following configurations:

PACKAGE PART ID	PACKAGE CONTENTS
SKR-STD-MP9-PKG	1 x SKR 100 Striker (no base)
	1 x SKR 109 Cart base
	1 x CB-SKR Control box
	1 x SKR 310-K Hose kit, 20k
SKR-STD-H9-PKG	1 x SKR 100 Striker (no base)
	1 x SKR 109 Cart base
	1 x CB-SKR Control box
	1 x SKR 311-K Hose kit, 40k

Select the nozzle package to match your application:

PACKAGE PART ID	PACKAGE CONTENTS
BC-K-MP-PKG 2-Jet 22k/1500 bar Package	1 x BC-K Barracuda, 2 Port 1/4 NPT 22k psi
	2 x AP4-XXX* Attack Tip, 1/4 NPT
BC-K-P2-MP-PKG 4-Jet 22k/1500 bar Package	1 x BC-K-P2 Barracuda, 4 Port 1/8 NPT 22k psi
	4 x AP4-XXX* Attack Tip, 1/8 NPT
BC-H9-C-PKG 4-Jet 40k/2800 bar Package	1 x BC-H9-C Barracuda - 40k psi, Cartridge
	4 x OS7-XXX* Sapphire Orifice, 7/16 NF

*Specify nozzle size

Optional Items

Select optional items and spare parts to complete your order.

PART ID	DESCRIPTION
FPA-SKR	Foot Pedal Assembly for Striker, Pneumatic
SKR 500-K	Downrig Assemblies for Striker (includes 2 Aft & 2 Forward)
SKR 225-MP9P4	Fixed Jet Head Assembly, MP9P4
SKR 310	Hose, 8mm w/Abrasive Cover, 20k
SKR 311	Hose, 6mm w/Abrasive Cover, 40k psi
AF 065-MP9P8	15k Adaptor, 9/16 MP Male to 1/2 NPT Female