



**OPERATING WATERBLASTING EQUIPMENT
CAN BE POTENTIALLY HAZARDOUS.
SEE PAGE 97 FOR IMPORTANT SAFETY INFORMATION**

FURNACE & BOILER CLEANING

CABLE SWIVEL TOOL (CST)

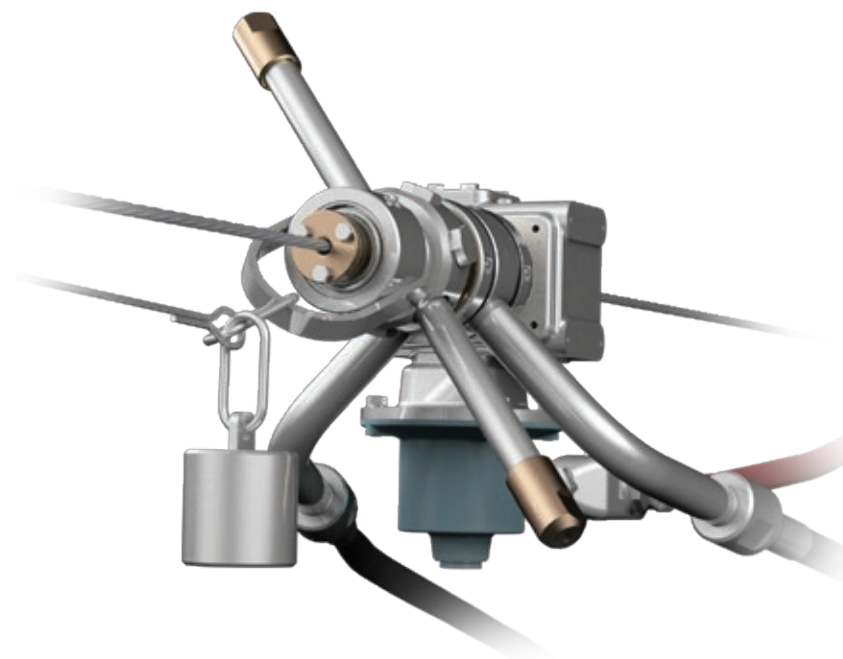
Furnace and Boiler Cleaning

The patented, hollow-shaft CST-AIR slides on a 3/8 in. (9.5 mm) diameter stretched cable (not supplied) and can be moved by a pulling cable. Head rotation is powered by an air motor.

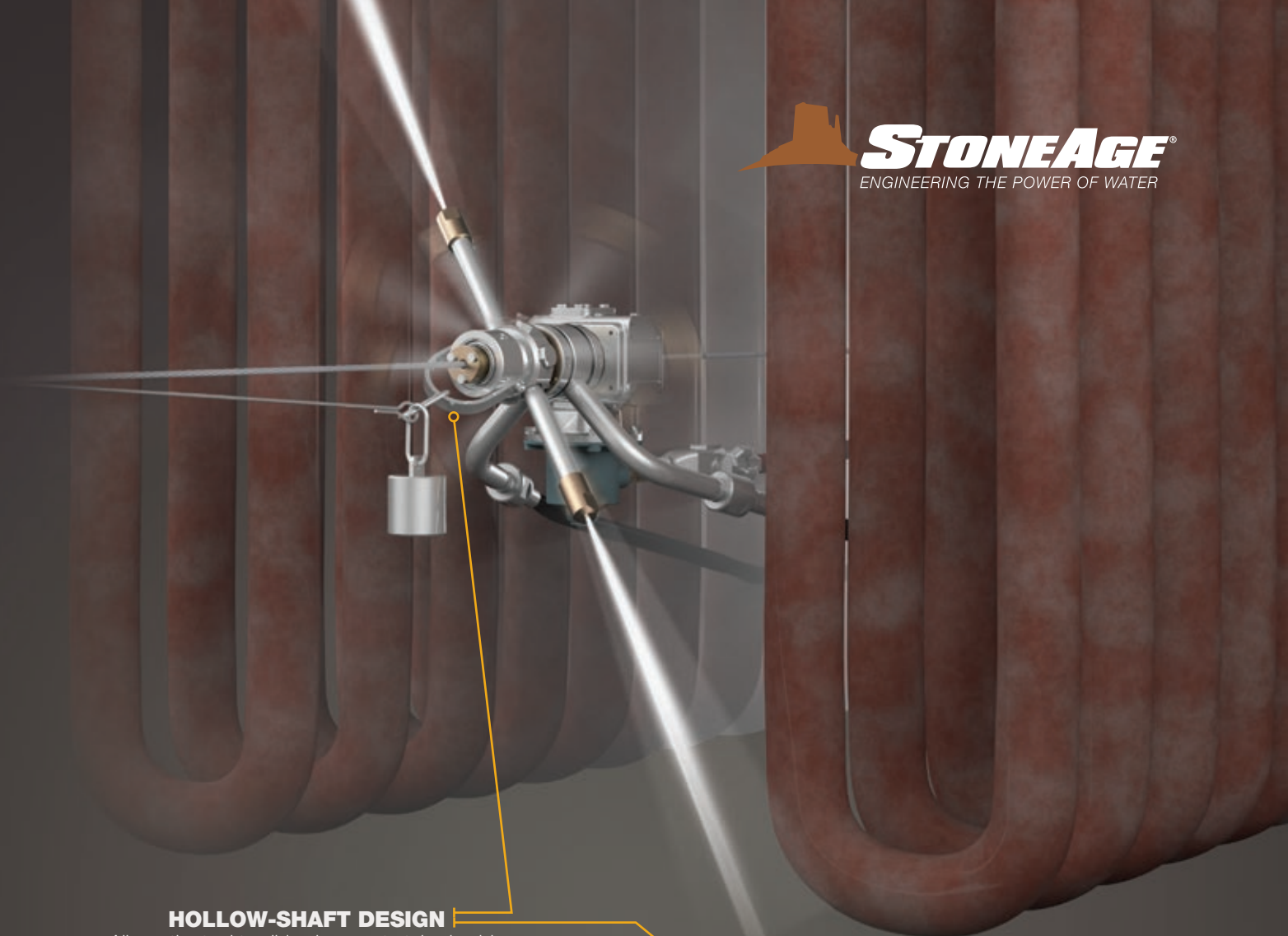
Extension nipples further adapt the tool to various vessel sizes and improve jet quality by reducing stand-off distance.

IDEAL FOR:

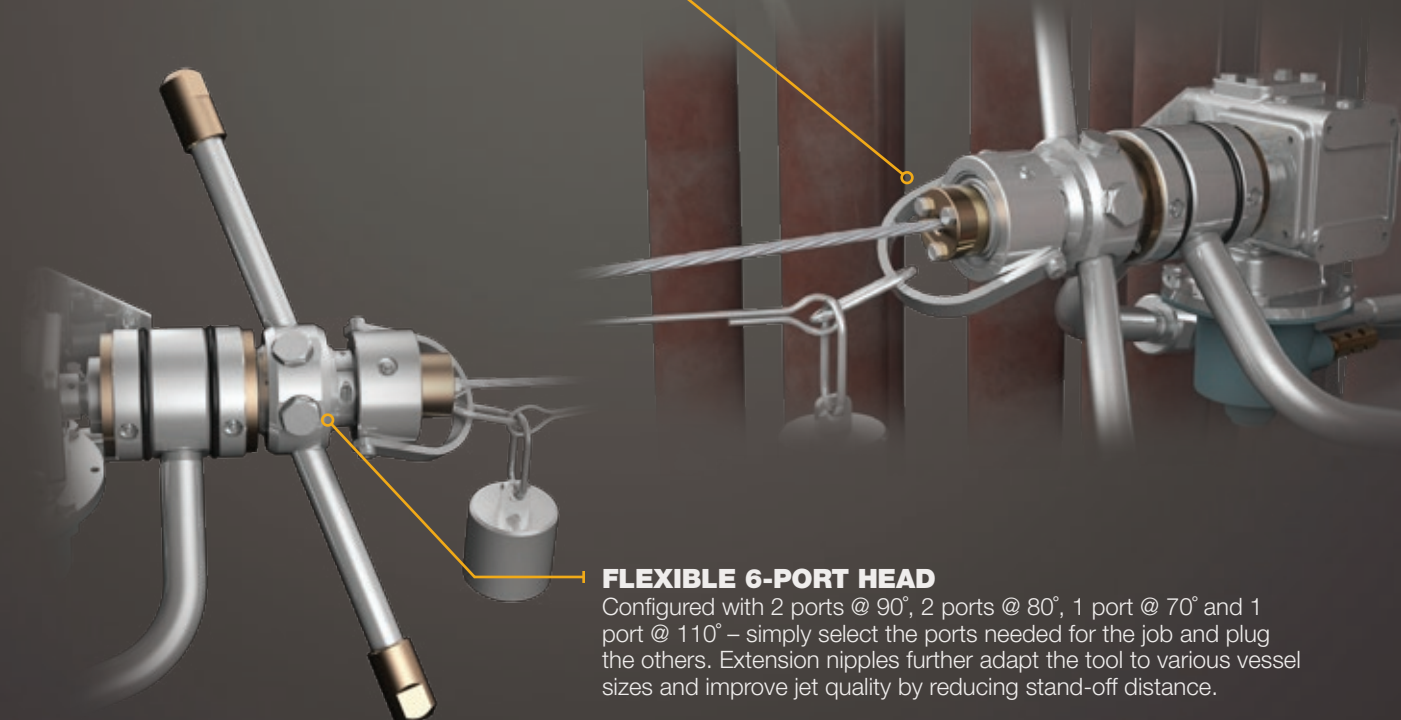
- Direct fired furnaces, superheaters, and economizer sections
- Cleaning in difficult to reach locations
- Cleaning boilers, re-boilers, re-formers, cokers and precipitators



Tool Model	Pressure Range	Flow Range	Inlet Connection	Rotation Speed	Rotation Range	Weight
CST-AIR	Up to 10k psi 700 bar	Up to 170 gpm 640 l/min	2 x 1 NPT	5-60 rpm	360°	46 lb 21 kg



HOLLOW-SHAFT DESIGN
Allows the tool to slide along a stretched cable



FLEXIBLE 6-PORT HEAD
Configured with 2 ports @ 90°, 2 ports @ 80°, 1 port @ 70° and 1 port @ 110° – simply select the ports needed for the job and plug the others. Extension nipples further adapt the tool to various vessel sizes and improve jet quality by reducing stand-off distance.